

October 19, 2023

ADDENDUM #2

**LOWER LITTLE MIAMI AND WAYNESVILLE REGIONAL WWTP
IMPROVEMENTS**

79 PAGES TOTAL

This Addendum No. 2 is issued to make certain revisions, additions, and clarifications to the original Request for Qualifications and shall be incorporated into the original Public Announcement. This Addendum takes precedence over any and all information previously issued. No other revisions to the Request for Qualifications are to be inferred.

QUESTIONS:

1. During the end of site visit, it seems that the Operator preference is for the clarifier drive units at Lower Little to be replaced with new drive units, but this item is not in the current published project scope. Please confirm or clarify the updated scope relating to this. Can you tell us which clarifier drives are being included in scope for replacement, any information on the existing drives etc.

Response: The Secondary Clarifier Drives No. 5 and No. 6 are not included in the listed improvements at the Lower Little Miami WWTP and do not need to be included in the submittals.

2. During the site visit, two new clarifiers from the Waynesville project were descoped in lieu of the possible clarifier drive upgrades (Question 1) at Lower Little WWTP. Confirm de-scope with Warren County.

Response: An evaluation of additional clarification at the Waynesville Regional WWTP will remain in the project scope of work.

3. Please provide the Lower Little WWTP Drawings. For example, the site plan, yard piping plan, PFD, PID, process and electrical sheets pertaining to the scope items would be very helpful.

Response: Limited piping and unit process drawings are included with this Addendum.

4. For Lower Little, please provide a single line diagram that shows the 400 KW generator in addition to the larger generator discussed in project scope.

Response: Due to security concerns, electrical drawings of the facility will not be made available to the public.

5. For Lower Little and Waynesville, please provide MOR data for the past 6 months or at least a few months.

Response: Limited MOR data is included with the Addendum.

6. For Lower Little, if available, please provide sample data for the WAS and/or the solids in digester/solids holding tanks.

Response: On average the Lower Little Miami WWTP wastes 80,000 gallons per day at 0.8 – 2.0% solids. Wasting occurs 7 days/week.

7. For Waynesville, if available, please provide sample data for the WAS and/or solids at digester and/or lime tank.

Response: Wasting rates at the Waynesville facility are sporadic due to the capacity of the solids holding tanks and the limited opportunities to land apply. If the solids processing limitations did not exist, the treatment plant staff estimates a daily waste of 12,000 gallons per day at a 1% solids concentration.

8. Please provide any other past planning reports pertaining to the scope items in RFQ that may be helpful to us.

Response: Warren County has not completed planning studies for either of these facilities.

9. Our understanding is that the Waynesville project scope currently involves replacing the 10-inch RAS inlet valves with electric actuated plug valves. The RAS discharge lines have 8-inch plug valves, and the WAS discharge line has 4” plug valves. Is the county planning replacement of these valves with the electric actuated valves as well. Confirm or clarify as needed.

Response: The County intends to install motor operated valve(s) in the RAS/WAS pump station pipe gallery allowing the waste sludge to be pumped to the Aerobic Digesters instead of the current ineffective gravity wasting process.

10. For the proposed biosolids dewatering system at Waynesville, is the County’s intent to pump biosolids from aerobic digesters to the dewatering system (or) to pump from the lime stabilization tank to the dewatering system (or) a system with option to do both?

Response: Yes

END OF ADDENDUM

Lower Little Miami WWTP Belt Press Operation

Date	TONS	Belt 1	Belt 2	GALLONS	Digested %	%TOT	%VOL	PH	LBS.
1/3/2022	5.66	43817	52483	96.3000	1.41	14.28	78	7.01	11324.30
1/4/2022	8.35	177415	52652	230.0670	0.87	14.71	75	7.02	16693.20
1/5/2022	4.11	59045	67262	126.3070	0.78	15.36	76	6.98	8216.52
1/6/2022	5.71	55981	59971	115.9520	1.18	15.29	72	7.15	11411.07
1/7/2022	2.84	52915	57081	109.9960	0.62	16.85	74	7.33	5687.67
1/8/2022				0.0000					0.00
1/9/2022				0.0000					0.00
1/10/2022				0.0000					0.00
1/11/2022	3.62	106509	95481	201.9900	0.43	13.57	66	7.14	7243.77
1/12/2022	3.24	69205	58095	127.3000	0.61	15.33	71	7.04	6476.26
1/13/2022	5.61	52925	53795	106.7200	1.26	14.65	73	7.06	11214.56
1/14/2022	6.92	52054	60037	112.0910	1.48	10.03	80	7.03	13835.62
1/15/2022				0.0000					0.00
1/16/2022				0.0000					0.00
1/17/2022				0.0000					0.00
1/18/2022	8.02	71572	64876	136.4480	1.41	15.68	70	7.07	16045.47
1/19/2022	7.18	74978	65010	139.9880	1.23	16.36	71	7.16	14360.25
1/20/2022	4.61	69966	69973	139.9390	0.79	15.42	68	7.13	9220.02
1/21/2022				0.0000					0.00
1/22/2022				0.0000					0.00
1/23/2022				0.0000					0.00
1/24/2022	5.70	56973	60962	117.9350	1.16	12.91	72	7.07	11409.50
1/25/2022	5.83	61991	62908	124.8990	1.12	14.19	79	7.11	11666.57
1/26/2022	5.13	62042	69939	131.9810	0.93	14.5	77	7.08	10269.73
1/27/2022	7.72	66293	68858	135.1510	1.37	15.57	77	7.23	15442.08
1/28/2022	7.74	65058	75644	140.7020	1.32	15.31	79	7.24	15489.60
1/29/2022				0.0000					0.00
1/30/2022				0.0000					0.00
1/31/2022	8.76	66642	79276	145.9180	1.44	15.6	73	7.08	17524.17
2/1/2022	7.65	64618	67449	132.0670	1.39	15.97	79	7.21	15310.00
2/2/2022	8.13	72583	63709	136.2920	1.43	14.69	77	6.99	16254.46
2/3/2022				0.0000					0.00
2/4/2022				0.0000					0.00
2/5/2022				0.0000					0.00
2/6/2022				0.0000					0.00
2/7/2022	6.90	60019	60812	120.8310	1.37	15.29	67	6.99	13805.91
2/8/2022	6.39	65030	63682	128.7120	1.19	15.26	73	6.99	12774.15
2/9/2022	7.20	58447	59842	118.2890	1.46	14.76	74	6.97	14403.34
2/10/2022	6.96	63080	61468	124.5480	1.34	14.92	78	7.17	13918.99
2/11/2022	5.92	53836	58026	111.8620	1.27	15.07	49	6.99	11848.20
2/12/2022				0.0000					0.00
2/13/2022				0.0000					0.00
2/14/2022	5.81	66843	67127	133.9700	1.04	15.38	79	6.94	11620.02
2/15/2022	6.09	72711	63685	136.3960	1.07	15.27	76	7.22	12171.71
2/16/2022	3.13	54623	55645	110.2680	0.68	13.56	82	7.11	6253.52
2/17/2022	1.89	57682	53071	110.7530	0.41	15.05	67	6.63	3787.09
2/18/2022				0.0000					0.00
2/19/2022				0.0000					0.00
2/20/2022				0.0000					0.00
2/21/2022				0.0000					0.00
2/22/2022	2.25	55257	76273	131.5300	0.41	14.28	71	6.91	4497.54
2/23/2022	10.63	80833	76538	157.3710	1.62	15.65	77	6.82	21262.08
2/24/2022	2.86	30592	25259	55.8510	1.23	13.51	80	6.55	5729.31
2/25/2022	2.93	60301	65061	125.3620	0.56	15.53	75	6.90	5854.91
2/26/2022				0.0000					0.00
2/27/2022				0.0000					0.00
2/28/2022	3.99	70137	66564	136.7010	0.70	16.95	77	6.95	7980.60
3/1/2022	9.38	74980	74969	149.9490	1.50	15.87	72	6.99	18758.62
3/2/2022	7.76	60971	59936	120.9070	1.54	15.9	74	6.54	15528.81
3/3/2022	3.41	41710	41000	82.7100	0.99	13.56	77	6.92	6829.03
3/4/2022	3.91	24261	69439	93.7000	1.00	16.35	73	6.93	7814.58
3/5/2022				0.0000					0.00
3/6/2022				0.0000					0.00
3/7/2022	3.00	54932	66863	121.7950	0.59	13.13	73	7.05	5993.04
3/8/2022	5.60	110044	129658	239.7020	0.56	16.64	74	6.93	11195.04

Lower Little Miami WWTP Belt Press Operation

Date	TONS	Belt 1	Belt 2	GALLONS	Digested %	%TOT	%VOL	PH	LBS.
3/9/2022	12.30	127951	145079	273.0300	1.08	15.25	78	7.16	24592.36
3/10/2022	3.66	100477	108733	209.2100	0.42	15.96	70	7.30	7328.21
3/11/2022	9.82	44980	46972	91.9520	2.56	15.63	73	7.13	19632.12
3/12/2022				0.0000					0.00
3/13/2022				0.0000					0.00
3/14/2022	6.49	118258	124748	243.0060	0.64	12.73	74	7.15	12970.69
3/15/2022	12.51	219917	133106	353.0230	0.85	15.52	76	6.97	25025.80
3/16/2022	9.31	183113	195444	378.5570	0.59	12.93	72	7.41	18627.28
3/17/2022	4.33	62584	74155	136.7390	0.76	13.64	75	7.15	8667.06
3/18/2022	3.04	44260	50368	94.6280	0.77	15.39	75	6.97	6076.82
3/19/2022				0.0000					0.00
3/20/2022				0.0000					0.00
3/21/2022	3.77	68858	68003	136.8610	0.66	12.85	75	7.05	7533.38
3/22/2022	4.15	67285	67148	134.4330	0.74	13.77	75	6.99	8296.67
3/23/2022	2.04	34401	21083	55.4840	0.88	14.34	78	6.73	4072.08
3/24/2022				0.0000					0.00
3/25/2022	1.59	25633	46408	72.0410	0.53	13.07	78	6.97	3184.36
3/26/2022				0.0000					0.00
3/27/2022				0.0000					0.00
3/28/2022	6.59	34198	78757	112.9550	1.40	13.06	77	6.76	13188.63
3/29/2022	5.33	80160	83852	164.0120	0.78	12.81	77	7.22	10669.31
3/30/2022	7.36	70753	70395	141.1480	1.25	12.37	79	7.22	14714.68
3/31/2022	3.22	80396	0	80.3960	0.96	15.12	78	7.04	6436.83
4/1/2022				0.0000					0.00
4/2/2022				0.0000					0.00
4/3/2022				0.0000					0.00
4/4/2022	6.95	64137	67130	131.2670	1.27	11.66	79	7.04	13903.54
4/5/2022	3.19	70371	59165	129.5360	0.59	15.13	74	7.13	6373.95
4/6/2022	8.53	71676	66569	138.2450	1.48	16.08	70	7.08	17063.86
4/7/2022	5.15	58459	60244	118.7030	1.04	11.75	74	7.04	10295.82
4/8/2022	8.16	40703	36956	77.6590	2.52	15.29	69	6.64	16321.44
4/9/2022				0.0000					0.00
4/10/2022				0.0000					0.00
4/11/2022	7.68	61043	83939	144.9820	1.27	12.18	70	6.76	15356.20
4/12/2022	11.51	0	239929	239.9290	1.15	14.21	73	7.07	23011.59
4/13/2022				0.0000					0.00
4/14/2022	11.51	81751	73278	155.0290	1.78	13.23	78	6.26	23014.37
4/15/2022	4.68	39284	33586	72.8700	1.54	13.52	75	6.33	9359.13
4/16/2022				0.0000					0.00
4/17/2022				0.0000					0.00
4/18/2022	7.02	71699	55847	127.5460	1.32	13.24	76	6.88	14041.28
4/19/2022	12.55	71952	57800	129.7520	2.32	13.15	69	6.55	25105.45
4/20/2022	6.07	59321	46936	106.2570	1.37	16.34	74	6.96	12140.71
4/21/2022	13.05	67682	51321	119.0030	2.63	15.28	70	6.47	26102.36
4/22/2022				0.0000					0.00
4/23/2022				0.0000					0.00
4/24/2022				0.0000					0.00
4/25/2022	6.65	64213	52993	117.2060	1.36	12.5	79	6.82	13293.97
4/26/2022	7.74	62462	49378	111.8400	1.66	14.79	76	6.88	15483.58
4/27/2022	7.14	63208	51726	114.9340	1.49	12.75	76	7.02	14282.39
4/28/2022	11.28	66652	48998	115.6500	2.34	14.86	72	6.62	22569.79
4/29/2022	4.19	56931	49870	106.8010	0.94	14.09	79	6.92	8372.77
4/30/2022				0.0000					0.00
5/1/2022				0.0000					0.00
5/2/2022	9.45	78999	72144	151.1430	1.50	15.32	68	7.47	18907.99
5/3/2022	2.75	67728	56550	124.2780	0.53	12.67	72	7.11	5493.34
5/4/2022	2.66	65314	62485	127.7990	0.50	11.93	72	7.14	5329.22
5/5/2022	2.70	70842	63917	134.7590	0.48	12.88	70	7.04	5394.67
5/6/2022	1.62	19885	24168	44.0530	0.88	14.35	77	6.86	3233.14
5/7/2022				0.0000					0.00
5/8/2022				0.0000					0.00
5/9/2022	5.68	64209	54286	118.4950	1.15	11.78	80	6.91	11364.86
5/10/2022	4.29	0	79762	79.7620	1.29	12.47	80	6.98	8581.27
5/11/2022	4.71	60700	51207	111.9070	1.01	11.88	78	6.89	9426.37
5/12/2022	4.65	62134	57861	119.9950	0.93	11.08	77	7.01	9307.05

Lower Little Miami WWTP Belt Press Operation

Date	TONS	Belt 1	Belt 2	GALLONS	Digested %	%TOT	%VOL	PH	LBS.
5/13/2022	3.19	61135	54863	115.9980	0.66	9.98	76	7.03	6384.99
5/14/2022				0.0000					0.00
5/15/2022				0.0000					0.00
5/16/2022	3.07	76743	62254	138.9970	0.53	13.12	66	7.12	6143.95
5/17/2022	3.12	75537	70973	146.5100	0.51	11.53	73	7.14	6231.66
5/18/2022	2.23	78914	73970	152.8840	0.35	12.58	66	7.18	4462.68
5/19/2022	7.26	76891	66919	143.8100	1.21	11.89	79	7.03	14512.44
5/20/2022				0.0000					0.00
5/21/2022				0.0000					0.00
5/22/2022				0.0000					0.00
5/23/2022	4.05	75476	71729	147.2050	0.66	12.57	74	7.14	8102.75
5/24/2022	11.89	82383	79608	161.9910	1.76	11.92	73	7.11	23777.69
5/25/2022	12.71	83804	80090	163.8940	1.86	11.8	76	6.91	25423.89
5/26/2022	18.63	278637	84667	363.3040	1.23	16.39	75	7.01	37268.45
5/27/2022	7.51	66948	279563	346.5110	0.52	14.89	74	7.13	15027.49
5/28/2022				0.0000					0.00
5/29/2022				0.0000					0.00
5/30/2022				0.0000					0.00
5/31/2022	7.47	56867	137904	194.7710	0.92	13.14	75	6.88	14944.39
6/1/2022	9.58	282030	121198	403.2280	0.57	14.12	75	6.90	19168.65
6/2/2022	4.89	60139	232763	292.9020	0.40	13.42	71	6.99	9771.21
6/3/2022				0.0000					0.00
6/4/2022				0.0000					0.00
6/5/2022				0.0000					0.00
6/6/2022	16.07	106171	52424	158.5950	2.43	15.51	69	6.99	32141.18
6/7/2022	7.71	213951	70580	284.5310	0.65	16.15	76	7.05	15424.43
6/8/2022	6.67	75398	238339	313.7370	0.51	12.28	76	7.07	13344.49
6/9/2022	11.64	78707	71429	150.1360	1.86	12.25	79	6.34	23289.70
6/10/2022	4.80	70244	128318	198.5620	0.58	13.27	75	6.85	9604.84
6/11/2022				0.0000					0.00
6/12/2022				0.0000					0.00
6/13/2022	6.51	66836	61088	127.9240	1.22	12.58	78	6.65	13016.01
6/14/2022	3.74	64548	58307	122.8550	0.73	14.61	76	7.11	7479.66
6/15/2022	10.03	75359	69510	144.8690	1.66	14.3	77	6.73	20056.24
6/16/2022	2.28	65526	61490	127.0160	0.43	14.34	68	6.88	4555.05
6/17/2022				0.0000					0.00
6/18/2022				0.0000					0.00
6/19/2022				0.0000					0.00
6/20/2022				0.0000					0.00
6/21/2022	4.34	56505	51829	108.3340	0.96	12.75	71	7.13	8673.65
6/22/2022	7.36	87407	70172	157.5790	1.12	12.29	77	7.06	14719.14
6/23/2022	10.48	123313	120644	243.9570	1.03	15.61	73	7.08	20956.39
6/24/2022				0.0000					0.00
6/25/2022				0.0000					0.00
6/26/2022				0.0000					0.00
6/27/2022	3.84	73063	70736	143.7990	0.64	14.85	70	6.98	7675.42
6/28/2022	3.75	71898	64221	136.1190	0.66	15.81	72	6.51	7492.53
6/29/2022	19.60	119798	119968	239.7660	1.96	14.04	74	6.90	39193.11
6/30/2022	1.37	62842	54520	117.3620	0.28	18.66	58	7.25	2740.64
7/1/2022	0.87		46486	46.4860	0.45	12.57	65	6.60	1744.62
7/2/2022				0.0000					0.00
7/3/2022				0.0000					0.00
7/4/2022				0.0000					0.00
7/5/2022	3.64	73543	69576	143.1190	0.61	15.45	71	7.19	7281.04
7/6/2022	4.50	74781	63517	138.2980	0.78	15.74	73	6.99	8996.56
7/7/2022	6.00	73834	70038	143.8720	1.00	10.41	78	7.03	11998.92
7/8/2022	2.84	65525	58347	123.8720	0.55	12.97	70	7.13	5682.01
7/9/2022				0.0000					0.00
7/10/2022				0.0000					0.00
7/11/2022	5.59	70555	64814	135.3690	0.99	11.95	75	7.13	11176.88
7/12/2022	8.46	123839	58996	182.8350	1.11	14.39	73	7.09	16925.77
7/13/2022	6.71	72723	67144	139.8670	1.15	15.99	75	7.06	13414.64
7/14/2022	5.11	72364	62234	134.5980	0.91	15	74	7.22	10215.18
7/15/2022	4.41	43073	41475	84.5480	1.25	16.68	72	7.04	8814.13
7/16/2022				0.0000					0.00

Lower Little Miami WWTP Belt Press Operation

Date	TONS	Belt 1	Belt 2	GALLONS	Digested %	%TOT	%VOL	PH	LBS.
7/17/2022				0.0000					0.00
7/18/2022	12.56	143447	140720	284.1670	1.06	15.81	74	7.05	25121.50
7/19/2022	5.13	35676	132949	168.6250	0.73	17.14	73	7.19	10266.23
7/20/2022	3.97	71934	58489	130.4230	0.73	16.41	72	7.12	7940.41
7/21/2022	6.87	56433	44062	100.4950	1.64	17.76	75	7.18	13745.30
7/22/2022				0.0000					0.00
7/23/2022				0.0000					0.00
7/24/2022				0.0000					0.00
7/25/2022	15.54	323398	120294	443.6920	0.84	16.21	71	6.98	31083.29
7/26/2022	7.52	70706	55325	126.0310	1.43	41.94	72	7.15	15030.71
7/27/2022	5.70	56003	50776	106.7790	1.28	15.8	75	7.19	11398.87
7/28/2022				0.0000					0.00
7/29/2022				0.0000					0.00
7/30/2022				0.0000					0.00
7/31/2022				0.0000					0.00
8/1/2022	74.35	777210	80038	857.2480	2.08	16.13	78	6.77	148708.53
8/2/2022	25.72	134992	124129	259.1210	2.38	16.36	67	6.87	51433.45
8/3/2022	20.93	255942	231324	487.2660	1.03	16.82	74	6.67	41857.12
8/4/2022	53.45	241836	236464	478.3000	2.68	17.21	77	6.64	106905.79
8/5/2022	16.51	161784	42240	204.0240	1.94	15.68	70	6.64	33010.27
8/6/2022				0.0000					0.00
8/7/2022				0.0000					0.00
8/8/2022	7.86	117656	101540	219.1960	0.86	14.53	74	7.06	15721.61
8/9/2022	3.11	72105	68661	140.7660	0.53	14.51	73	6.70	6222.14
8/10/2022	3.53	62284	64191	126.4750	0.67	15.61	74	6.27	7067.17
8/11/2022	4.31	67286	67096	134.3820	0.77	10.43	73	6.26	8629.74
8/12/2022				0.0000					0.00
8/13/2022				0.0000					0.00
8/14/2022				0.0000					0.00
8/15/2022	3.41	59320	54195	113.5150	0.72	10.03	71	5.81	6816.35
8/16/2022	3.08	50414	50646	101.0600	0.73	16.35	70	6.06	6152.73
8/17/2022	3.72	59767	55960	115.7270	0.77	16.5	71	5.70	7431.76
8/18/2022	10.26	62995	64499	127.4940	1.93	15.73	72	5.74	20521.69
8/19/2022	10.85	60643	62056	122.6990	2.12	15.99	66	6.05	21694.16
8/20/2022				0.0000					0.00
8/21/2022				0.0000					0.00
8/22/2022	6.23	65546	72845	138.3910	1.08	16.94	73	6.08	12465.15
8/23/2022	12.07	66324	70234	136.5580	2.12	16.02	70	6.20	24144.55
8/24/2022	8.03	60000	64989	124.9890	1.54	16.37	74	6.05	16053.09
8/25/2022				0.0000					0.00
8/26/2022	5.22	56514	59398	115.9120	1.08	15.44	74	6.53	10440.43
8/27/2022				0.0000					0.00
8/28/2022				0.0000					0.00
8/29/2022	11.29	73942	74818	148.7600	1.82	15.84	73	5.78	22579.98
8/30/2022	4.34	72572	74172	146.7440	0.71	15.72	69	5.64	8689.30
8/31/2022	13.87	66685	71924	138.6090	2.40	16.81	73	5.55	27743.98
9/1/2022	11.24	39051	43121	82.1720	3.28	15.73	67	5.92	22478.31
9/2/2022	11.66	68674	71115	139.7890	2.00	16.01	75	6.39	23316.81
9/3/2022				0.0000					0.00
9/4/2022				0.0000					0.00
9/5/2022				0.0000					0.00
9/6/2022	8.76	70858	82490	153.3480	1.37	11.78	74	6.07	17521.24
9/7/2022	7.87	71539	83059	154.5980	1.22	15.65	73	5.60	15730.04
9/8/2022	14.36	67815	72201	140.0160	2.46	15.24	65	6.03	28726.24
9/9/2022	5.15	0	56368	56.3680	2.19	16.49	67	6.35	10295.39
9/10/2022				0.0000					0.00
9/11/2022				0.0000					0.00
9/12/2022	4.84	66182	60105	126.2870	0.92	16.02	71	6.31	9689.75
9/13/2022	12.03	68361	68380	136.7410	2.11	16.03	69	6.37	24062.86
9/14/2022	12.99	62251	67565	129.8160	2.40	15.41	73	6.04	25983.97
9/15/2022	8.10	46168	49460	95.6280	2.03	15.53	73	6.35	16190.01
9/16/2022				0.0000					0.00
9/17/2022				0.0000					0.00
9/18/2022				0.0000					0.00
9/19/2022	16.86	66878	74974	141.8520	2.85	16.45	66	6.00	33716.80

Lower Little Miami WWTP Belt Press Operation

Date	TONS	Belt 1	Belt 2	GALLONS	Digested %	%TOT	%VOL	PH	LBS.
9/20/2022		0	0	0.0000					0.00
9/21/2022	8.01	74117	72556	146.6730	1.31	14.7	69	5.58	16024.61
9/22/2022	6.57	62434	63669	126.1030	1.25	16.45	73	5.94	13146.24
9/23/2022				0.0000					0.00
9/24/2022				0.0000					0.00
9/25/2022				0.0000					0.00
9/26/2022	8.83	72570	73440	146.0100	1.45	14.06	73	5.74	17656.99
9/27/2022	6.76	76334	56517	132.8510	1.22	13.75	72	6.38	13517.32
9/28/2022	9.46	72917	80344	153.2610	1.48	15.09	68	5.98	18917.31
9/29/2022	9.22	55439	60953	116.3920	1.90	15.91	70	6.49	18443.48
9/30/2022				0.0000					0.00
10/1/2022				0.0000					0.00
10/2/2022				0.0000					0.00
10/3/2022	8.10	67974	81527	149.5010	1.30	15.08	72	5.91	16208.90
10/4/2022	7.38	61572	71484	133.0560	1.33	14.97	70	5.78	14758.84
10/5/2022	6.17	70641	77350	147.9910	1.00	15.71	71	5.70	12342.45
10/6/2022	5.78	55588	58016	113.6040	1.22	14.48	72	5.98	11558.98
10/7/2022				0.0000					0.00
10/8/2022				0.0000					0.00
10/9/2022				0.0000					0.00
10/10/2022	7.82	75205	81087	156.2920	1.20	11.37	72	5.90	15641.70
10/11/2022	12.73	74501	82013	156.5140	1.95	14.72	73	5.77	25453.87
10/12/2022	12.46	70397	80497	150.8940	1.98	15.04	69	5.82	24917.43
10/13/2022	16.77	77452	80295	157.7470	2.55	15.77	70	6.29	33548.05
10/14/2022	4.15	34118	19958	54.0760	1.84	14.74	64	6.81	8298.29
10/15/2022				0.0000					0.00
10/16/2022				0.0000					0.00
10/17/2022	14.76	92092	99201	191.2930	1.85	16.34	66	6.50	29514.60
10/18/2022	8.36	69793	76614	146.4070	1.37	16.06	67	6.48	16728.17
10/19/2022	5.55	61514	53270	114.7840	1.16	15.35	71	6.68	11104.66
10/20/2022	6.81	57541	63506	121.0470	1.35	14.65	69	6.76	13628.68
10/21/2022				0.0000					0.00
10/22/2022				0.0000					0.00
10/23/2022				0.0000					0.00
10/24/2022	9.31	75416	77434	152.8500	1.46	16.01	72	6.37	18611.63
10/25/2022	8.86	73375	74170	147.5450	1.44	14.9	70	6.16	17719.56
10/26/2022	8.40	74851	69052	143.9030	1.40	15.1	65	6.44	16802.11
10/27/2022	8.27	57787	52454	110.2410	1.80	14.76	67	6.69	16549.38
10/28/2022				0.0000					0.00
10/29/2022				0.0000					0.00
10/30/2022				0.0000					0.00
10/31/2022	9.47	80280	76384	156.6640	1.45	16.73	71	6.37	18945.38
11/1/2022	8.41	67747	71329	139.0760	1.45	16.52	72	6.56	16818.46
11/2/2022	7.68	73261	69532	142.7930	1.29	15.12	75	6.24	15362.53
11/3/2022	10.08	71596	68876	140.4720	1.72	15.51	74	6.17	20150.43
11/4/2022	2.12	19777	19547	39.3240	1.29	15.39	74	6.19	4230.71
11/5/2022				0.0000					0.00
11/6/2022				0.0000					0.00
11/7/2022	12.97	74277	78151	152.4280	2.04	15.72	68	5.79	25933.49
11/8/2022	9.62	69080	65847	134.9270	1.71	16.17	68	5.87	19242.48
11/9/2022	7.90	74085	69514	143.5990	1.32	15.81	74	6.08	15808.53
11/10/2022	8.97	66222	77119	143.3410	1.50	15.34	69	6.22	17931.96
11/11/2022				0.0000					0.00
11/12/2022				0.0000					0.00
11/13/2022				0.0000					0.00
11/14/2022	9.74	84977	75022	159.9990	1.46	14.21	75	6.53	19482.12
11/15/2022	9.80	74305	76268	150.5730	1.56	14.78	68	6.50	19590.15
11/16/2022	6.94	59338	55448	114.7860	1.45	14.99	76	6.65	13881.07
11/17/2022				0.0000					0.00
11/18/2022	10.30	67932	56183	124.1150	1.99	13.8	72	7.14	20598.87
11/19/2022				0.0000					0.00
11/20/2022				0.0000					0.00
11/21/2022	13.34	75433	73312	148.7450	2.15	15.1	72	7.13	26671.47
11/22/2022	10.14	73422	63160	136.5820	1.78	15.31	78	7.08	20275.87
11/23/2022	3.89	42366	16651	59.0170	1.58	14.92	75	6.89	7776.79

Lower Little Miami WWTP Belt Press Operation

Date	TONS	Belt 1	Belt 2	GALLONS	Digested %	%TOT	%VOL	PH	LBS.
11/24/2022				0.0000					0.00
11/25/2022				0.0000					0.00
11/26/2022				0.0000					0.00
11/27/2022				0.0000					0.00
11/28/2022	17.97	83355	85676	169.0310	2.55	14.66	81	6.01	35947.82
11/29/2022	16.21	80616	71797	152.4130	2.55	14.66	81	6.01	32413.67
11/30/2022	8.16	61367	64952	126.3190	1.55	14.12	76	6.20	16329.26
12/1/2022	4.90	43752	55803	99.5550	1.18	14.8	77	6.46	9797.41
12/2/2022	7.98	63565	64863	128.4280	1.49	14.31	76	6.53	15959.23
12/3/2022				0.0000					0.00
12/4/2022				0.0000					0.00
12/5/2022	5.78	23637	65180	88.8170	1.56	16.04	71	6.26	11555.45
12/6/2022	16.21	189300	78735	268.0350	1.45	14.1	73	6.03	32413.47
12/7/2022	8.94	70844	68442	139.2860	1.54	15.59	76	6.37	17889.34
12/8/2022	7.73	68545	63877	132.4220	1.40	14.84	71	6.27	15461.59
12/9/2022	11.06	81004	81733	162.7370	1.63	15.52	71	6.54	22122.79
12/10/2022				0.0000					0.00
12/11/2022				0.0000					0.00
12/12/2022	15.92	78796	76998	155.7940	2.45	14.62	74	6.24	31833.39
12/13/2022	10.81	76884	72101	148.9850	1.74	14.24	73	5.90	21620.11
12/14/2022	13.83	82542	138601	221.1430	1.50	14.71	80	5.79	27664.99
12/15/2022	12.33	71635	122954	194.5890	1.52	14.38	75	6.24	24667.66
12/16/2022	6.55	56653	53984	110.6370	1.42	14.34	74	6.75	13102.52
12/17/2022				0.0000					0.00
12/18/2022				0.0000					0.00
12/19/2022	7.72	70924	60398	131.3220	1.41	13.41	76	6.81	15442.68
12/20/2022	7.49	71108	70292	141.4000	1.27	14.28	74	6.67	14976.81
12/21/2022	16.57	103015	100763	203.7780	1.95	13.49	70	6.50	33140.42
12/22/2022	10.50	66710	67954	134.6640	1.87	11	77	6.67	21001.93
12/23/2022	1.90	21979	19071	41.0500	1.11	13.89	68	6.95	3800.16
12/24/2022				0.0000					0.00
12/25/2022				0.0000					0.00
12/26/2022				0.0000					0.00
12/27/2022	7.49	14124	73121	87.2450	2.06	9.33	73	6.69	14989.04
12/28/2022	18.49	189480	124912	314.3920	1.41	14	71	6.67	36970.61
12/29/2022	14.72	79000	82197	161.1970	2.19	14.91	83	6.86	29441.99
12/30/2022	17.92	64805	74270	139.0750	3.09	14.47	72	6.67	35840.46
12/31/2022				0.0000					0.00
1/1/2023				0.0000					0.00
1/2/2023				0.0000					0.00
1/3/2023	18.35	90044	77282	167.3260	2.63	14.94	69	6.06	36701.62
1/4/2023	13.25	78397	69427	147.8240	2.15	15.04	72	5.82	26506.32
1/5/2023	7.88	75681	73052	148.7330	1.27	11.72	80	5.46	15753.50
1/6/2023	11.20	56272	56604	112.8760	2.38	15.79	71	5.94	22404.98
1/7/2023				0.0000					0.00
1/8/2023				0.0000					0.00
1/9/2023	7.43	71351	65740	137.0910	1.30	14.67	80	6.35	14863.41
1/10/2023	12.42	75680	73223	148.9030	2.00	14.62	79	6.75	24837.02
1/11/2023	12.15	75014	71413	146.4270	1.99	15.26	72	6.45	24301.90
1/12/2023	11.48	84073	94616	178.6890	1.54	13.04	77	6.51	22950.10
1/13/2023	6.79	79786	37376	117.1620	1.39	14.28	76	6.62	13582.12
1/14/2023				0.0000					0.00
1/15/2023				0.0000					0.00
1/16/2023				0.0000					0.00
1/17/2023	11.89	80866	74937	155.8030	1.83	14.61	78	6.42	23778.97
1/18/2023	33.14	265230	67260	332.4900	2.39	13.39	74	6.49	66273.90
1/19/2023	6.90	65678	50847	116.5250	1.42	14.08	79	6.56	13799.82
1/20/2023	6.10	57872	53002	110.8740	1.32	13.75	76	6.82	12205.90
1/21/2023				0.0000					0.00
1/22/2023				0.0000					0.00
1/23/2023	10.54	56189	55658	111.8470	2.26	11.72	70	6.58	21081.37
1/24/2023	13.06	75493	78017	153.5100	2.04	14.58	76	6.50	26117.58
1/25/2023	9.49	60342	69640	129.9820	1.75	14.99	72	6.72	18970.87
1/26/2023	13.79	79713	72648	152.3610	2.17	15.06	75	6.75	27573.99
1/27/2023	15.35	78774	66156	144.9300	2.54	14.38	74	6.44	30701.39

Lower Little Miami WWTP Belt Press Operation

Date	TONS	Belt 1	Belt 2	GALLONS	Digested %	%TOT	%VOL	PH	LBS.
1/28/2023				0.0000					0.00
1/29/2023				0.0000					0.00
1/30/2023	6.54	62356	56520	118.8760	1.32	13.84	82	6.56	13086.82
1/31/2023	12.78	80550	72637	153.1870	2.00	14.91	72	5.91	25551.59
2/1/2023	16.62	78498	70799	149.2970	2.67	14.95	74	6.18	33245.16
2/2/2023	17.04	78745	68798	147.5430	2.77	13.83	73	6.43	34085.09
2/3/2023	9.19	63466	53108	116.5740	1.89	14.61	72	6.63	18375.09
2/4/2023				0.0000					0.00
2/5/2023				0.0000					0.00
2/6/2023	54.26	754998	68494	823.4920	1.58	14.55	78	6.76	108513.19
2/7/2023	10.94	63506	55763	119.2690	2.20	14.46	71	6.72	21883.48
2/8/2023	3.18	35599	33756	69.3550	1.10	12.34	73	6.58	6362.63
2/9/2023	6.12	73073	70741	143.8140	1.02	14.55	77	6.70	12233.97
2/10/2023				0.0000					0.00
2/11/2023				0.0000					0.00
2/12/2023				0.0000					0.00
2/13/2023	14.90	80724	78831	159.5550	2.24	14.51	71	6.30	29807.43
2/14/2023	13.69	79558	79822	159.3800	2.06	14.54	77	6.26	27382.12
2/15/2023	12.23	66983	64560	131.5430	2.23	14.5	77	6.30	24464.63
2/16/2023	10.32	55318	48624	103.9420	2.38	14.4	73	6.47	20631.66
2/17/2023	9.12	72158	11	72.1690	3.03	14.55	75	6.75	18237.25
2/18/2023				0.0000					0.00
2/19/2023				0.0000					0.00
2/20/2023				0.0000					0.00
2/21/2023	22.18	76164	74523	150.6870	3.53	12.67	71	6.60	44362.55
2/22/2023	15.79	76896	78264	155.1600	2.44	14.13	77	6.49	31574.44
2/23/2023	17.14	75121	66159	141.2800	2.91	14.64	74	6.34	34287.81
2/24/2023	10.46	62687	64049	126.7360	1.98	14.97	77	6.24	20928.17
2/25/2023				0.0000					0.00
2/26/2023				0.0000					0.00
2/27/2023	11.51	73505	73264	146.7690	1.88	15.36	79	6.37	23012.21
2/28/2023	11.39	75042	75855	150.8970	1.81	14.61	76	6.13	22778.51
3/1/2023	0.00	75456	75456	150.9120					0.00
3/2/2023	0.00	82997	95415	178.4120					0.00
3/3/2023				0.0000					0.00
3/4/2023				0.0000					0.00
3/5/2023				0.0000					0.00
3/6/2023	5.64	76310	75697	152.0070	0.89	15.01	72	6.16	11282.87
3/7/2023	6.82	62346	58812	121.1580	1.35	11.89	74	6.38	13641.18
3/8/2023	6.02	71194	61348	132.5420	1.09	14.83	81	6.42	12048.86
3/9/2023	9.02	45252	40285	85.5370	2.53	15.04	78	7.37	18048.48
3/10/2023				0.0000					0.00
3/11/2023				0.0000					0.00
3/12/2023				0.0000					0.00
3/13/2023	8.51	86071	85367	171.4380	1.19	12.87	82	6.59	17014.54
3/14/2023	22.25	87304	88762	176.0660	3.03	11.77	80	6.76	44492.23
3/15/2023	6.50	76947	78951	155.8980	1.00	12.76	80	6.20	13001.89
3/16/2023	5.13	64273	62661	126.9340	0.97	15.03	80	5.96	10268.71
3/17/2023				0.0000					0.00
3/18/2023				0.0000					0.00
3/19/2023				0.0000					0.00
3/20/2023	7.66	81077	83037	164.1140	1.12	11.22	81	6.21	15329.56
3/21/2023	3.21	78206	78956	157.1620	0.49	13.89	76	6.46	6422.58
3/22/2023	6.92	72952	73826	146.7780	1.13	10.34	81	5.93	13832.65
3/23/2023	6.33	55946	56447	112.3930	1.35	12.19	82	5.66	12654.33
3/24/2023				0.0000					0.00
3/25/2023				0.0000					0.00
3/26/2023				0.0000					0.00
3/27/2023	5.94	72356	70174	142.5300	1.00	11.38	77	6.86	11887.00
3/28/2023				0.0000					0.00
3/29/2023	5.29	58767	69424	128.1910	0.99	11.89	80	6.17	10584.22
3/30/2023	8.13	79536	87166	166.7020	1.17	15.2	80	6.82	16266.45
3/31/2023	2.02	26836	27595	54.4310	0.89	12.02	80		4040.20
4/1/2023				0.0000					0.00
4/2/2023				0.0000					0.00

Lower Little Miami WWTP Belt Press Operation

Date	TONS	Belt 1	Belt 2	GALLONS	Digested %	%TOT	%VOL	PH	LBS.
4/3/2023	6.81	80515	84459	164.9740	0.99	15.29	80	6.06	13621.24
4/4/2023	8.50	77175	78342	155.5170	1.31	15.25	81	5.82	16990.85
4/5/2023	6.31	75642	75706	151.3480	1.00	15.46	80	5.69	12622.42
4/6/2023				0.0000					0.00
4/7/2023				0.0000					0.00
4/8/2023				0.0000					0.00
4/9/2023				0.0000					0.00
4/10/2023	7.18	83138	79257	162.3950	1.06	16.39	78	6.38	14356.37
4/11/2023	12.32	76298	67112	143.4100	2.06	16.03	77	5.92	24638.41
4/12/2023	7.41	83178	75499	158.6770	1.12	15.38	80	5.70	14821.70
4/13/2023	7.10	73212	71136	144.3480	1.18	15.06	80	5.74	14205.58
4/14/2023	5.32	64972	53067	118.0390	1.08	11.64	80	6.02	10632.01
4/15/2023				0.0000					0.00
4/16/2023				0.0000					0.00
4/17/2023	6.27	77439	40036	117.4750	1.28	15.27	72	5.79	12540.69
4/18/2023	6.32	79900	86621	166.5210	0.91	15.46	79	5.48	12637.94
4/19/2023	16.02	76364	88485	164.8490	2.33	16.09	74	5.49	32033.79
4/20/2023	7.11	72150	44688	116.8380	1.46	15.93	79	5.95	14226.66
4/21/2023				0.0000					0.00
4/22/2023				0.0000					0.00
4/23/2023				0.0000					0.00
4/24/2023	12.66	73205	69307	142.5120	2.13	15.76	81	5.42	25316.12
4/25/2023	7.84	84765	75855	160.6200	1.17	15.54	79	5.36	15672.98
4/26/2023	5.92	72436	81783	154.2190	0.92	12.45	79	5.37	11832.92
4/27/2023	7.13	72768	74646	147.4140	1.16	15.7	80	5.66	14261.42
4/28/2023	4.11	43361	34180	77.5410	1.27	14.39	79	6.09	8212.99
4/29/2023				0.0000					0.00
4/30/2023				0.0000					0.00
5/1/2023	12.94	71228	64907	136.1350	2.28	15.99	77	5.80	25886.34
5/2/2023	8.48	74603	68557	143.1600	1.42	15.57	75	5.64	16954.15
5/3/2023	8.41	80039	83881	163.9200	1.23	15.23	78	5.78	16815.24
5/4/2023	9.06	71451	86035	157.4860	1.38	15.13	79	5.70	18125.38
5/5/2023	7.29	70661	29805	100.4660	1.74	15.14	78	6.46	14579.22
5/6/2023				0.0000					0.00
5/7/2023				0.0000					0.00
5/8/2023	15.29	84394	95362	179.7560	2.04	14.08	73	5.57	30582.97
5/9/2023	11.16	79007	52177	131.1840	2.04	14.08	73	5.57	22319.12
5/10/2023	4.98	72449	14782	87.2310	1.37	15.45	79	5.55	9966.84
5/11/2023	8.46	76285	71839	148.1240	1.37	15.33	78	5.61	16924.35
5/12/2023	6.99	64331	70803	135.1340	1.24	16.18	77	5.65	13975.02
5/13/2023				0.0000					0.00
5/14/2023				0.0000					0.00
5/15/2023	5.01	87926	1753	89.6790	1.34	15.84	77	5.50	10022.17
5/16/2023	6.73	81387	70829	152.2160	1.06	16.18	78	5.30	13456.50
5/17/2023	12.12	221856		221.8560	1.31	15.96	78	5.44	24238.66
5/18/2023	8.38	72259	70307	142.5660	1.41	14.82	79	5.68	16764.91
5/19/2023	8.27	51548	63768	115.3160	1.72	16.14	71	5.78	16541.85
5/20/2023				0.0000					0.00
5/21/2023				0.0000					0.00
5/22/2023	9.71	90171	112314	202.4850	1.15	16.19	74	5.70	19420.34
5/23/2023	9.21	78552	90024	168.5760	1.31	15.39	78	5.29	18417.60
5/24/2023	7.06	67159	79959	147.1180	1.15	15.86	77	5.73	14110.09
5/25/2023	8.21	72535	82542	155.0770	1.27	15.18	77	6.02	16425.45
5/26/2023	4.08	76588	57601	134.1890	0.73	15.12	74	6.37	8169.69
5/27/2023				0.0000					0.00
5/28/2023				0.0000					0.00
5/29/2023				0.0000					0.00
5/30/2023	21.48	73784	88732	162.5160	3.17	13.82	70	6.14	42965.66
5/31/2023	7.89	79004	88486	167.4900	1.13	15.8	77	5.33	15784.59
6/1/2023	21.19	189462	184147	373.6090	1.36	16.26	77	5.56	42376.23
6/2/2023	14.73	76170	88169	164.3390	2.15	18.18	74	6.62	29467.63
6/3/2023				0.0000					0.00
6/4/2023				0.0000					0.00
6/5/2023	10.44	88105	117078	205.1830	1.22	16.2	77	5.93	20876.96
6/6/2023	8.89	81725	92976	174.7010	1.22	15.97	76	5.77	17775.48

Lower Little Miami WWTP Belt Press Operation

Date	TONS	Belt 1	Belt 2	GALLONS	Digested %	%TOT	%VOL	PH	LBS.
6/7/2023	7.89	76124	98980	175.1040	1.08	16.53	75	5.63	15771.97
6/8/2023	8.50	70557	78183	148.7400	1.37	15.96	76	6.24	16994.73
6/9/2023	4.15	65031	32429	97.4600	1.02	16.34	76	6.59	8290.73
6/10/2023				0.0000					0.00
6/11/2023				0.0000					0.00
6/12/2023	7.64	78933	89101	168.0340	1.09	16.15	76	6.00	15275.30
6/13/2023	8.98	77362	85860	163.2220	1.32	16.22	76	5.44	17968.78
6/14/2023	6.23	50358	62045	112.4030	1.33	16.06	74	5.66	12467.97
6/15/2023	7.33	75021	70184	145.2050	1.21	16.3	76	5.80	14653.22
6/16/2023	8.07	72705	45316	118.0210	1.64	15.92	76	6.52	16142.44
6/17/2023				0.0000					0.00
6/18/2023				0.0000					0.00
6/19/2023				0.0000					0.00
6/20/2023	10.41	78419	93798	172.2170	1.45	15.43	77	5.78	20826.20
6/21/2023	6.85	78160	86111	164.2710	1.00	16.2	77	5.38	13700.20
6/22/2023	8.04	79774	97095	176.8690	1.09	14.61	76	5.35	16078.45
6/23/2023	3.15	28020	24428	52.4480	1.44	15.85	77	6.13	6298.80
6/24/2023				0.0000					0.00
6/25/2023				0.0000					0.00
6/26/2023	8.41	79043	96227	175.2700	1.15	15.65	76	5.64	16810.15
6/27/2023	8.27	69042	76742	145.7840	1.36	15.73	76	6.06	16535.40
6/28/2023	6.98	62619	71372	133.9910	1.25	16.05	76	5.32	13968.56
6/29/2023	8.32	72248	64483	136.7310	1.46	15.64	76	6.90	16648.91
6/30/2023	#VALUE!			#VALUE!					#VALUE!
7/1/2023				0.0000					0.00
7/2/2023				0.0000					0.00
7/3/2023	10.12	88986	93396	182.3820	1.33	16.39	75	5.52	20230.18
7/4/2023				0.0000					0.00
7/5/2023	10.41	80953	97312	178.2650	1.40	16.38	76	5.32	20814.22
7/6/2023	9.44	84116	94103	178.2190	1.27	16.45	76	5.19	18876.60
7/7/2023	20.42	127573	59360	186.9330	2.62	16.15	74	5.65	40846.36
7/8/2023				0.0000					0.00
7/9/2023				0.0000					0.00
7/10/2023	7.47	76894		76.8940	2.33	16.06	71	5.50	14942.20
7/11/2023	22.87	231723	149172	380.8950	1.44	14.33	76	5.38	45743.97
7/12/2023	6.66	53678	47431	101.1090	1.58	16	76	5.94	13323.34
7/13/2023	14.06	72886	97421	170.3070	1.98	16.4	77	6.65	28123.14
7/14/2023				0.0000					0.00
7/15/2023				0.0000					0.00
7/16/2023				0.0000					0.00
7/17/2023	7.74	80407	105250	185.6570	1.00	16.48	74	5.72	15483.79
7/18/2023	12.26	81951	111454	193.4050	1.52	14.3	76	6.38	24517.57
7/19/2023	9.16	69429	76970	146.3990	1.50	16.14	76	5.51	18314.51
7/20/2023	12.29	76800	95494	172.2940	1.71	15.55	75	6.19	24571.54
7/21/2023				0.0000					0.00
7/22/2023				0.0000					0.00
7/23/2023				0.0000					0.00
7/24/2023	7.56	74430	96668	171.0980	1.06	16.81	74	5.51	15125.75
7/25/2023	8.59	76103	87314	163.4170	1.26	16.98	74	5.68	17172.51
7/26/2023	93.95	72710	90555	163.2650	13.80	16.38	75	6.53	187904.95
7/27/2023	7.84	74043	81343	155.3860	1.21	16.36	74	6.70	15680.62
7/28/2023				0.0000					0.00
7/29/2023				0.0000					0.00
7/30/2023				0.0000					0.00
7/31/2023	13.53	85177	111426	196.6030	1.65	17.23	74	5.48	27054.54
8/1/2023	8.66	74125	82015	156.1400	1.33	16.89	74	5.62	17319.36
8/2/2023	8.73	60137	84286	144.4230	1.45	17.42	74	5.60	17465.07
8/3/2023	7.72	59868	67753	127.6210	1.45	16.34	75	6.08	15433.21
8/4/2023				0.0000					0.00
8/5/2023				0.0000					0.00
8/6/2023				0.0000					0.00
8/7/2023	8.70	75758	93859	169.6170	1.23	16.02	74	5.60	17399.65
8/8/2023	9.97	78420	86401	164.8210	1.45	15.88	75	5.42	19931.80
8/9/2023	7.80	74925	98310	173.2350	1.08	16.53	73	5.47	15603.62
8/10/2023	10.31	74727	83807	158.5340	1.56	15.34	75	5.88	20625.91

Lower Little Miami WWTP Belt Press Operation

Date	TONS	Belt 1	Belt 2	GALLONS	Digested %	%TOT	%VOL	PH	LBS.
8/11/2023				0.0000					0.00
8/12/2023				0.0000					0.00
8/13/2023				0.0000					0.00
8/14/2023	5.55	75555	90777	166.3320	0.80	15.98	71	5.68	11097.67
8/15/2023	6.97	78038	90841	168.8790	0.99	16.07	74	5.56	13943.66
8/16/2023	9.27	70912	88965	159.8770	1.39	16.65	72	5.54	18533.90
8/17/2023	10.13	64814	74745	139.5590	1.74	15.39	73	6.04	20252.24
8/18/2023				0.0000					0.00
8/19/2023				0.0000					0.00
8/20/2023				0.0000					0.00
8/21/2023	9.89	73442	95903	169.3450	1.40	16.86	73	5.78	19772.72
8/22/2023	11.06	75037	82866	157.9030	1.68	17.26	74	5.65	22124.11
8/23/2023	6.72	60629	77056	137.6850	1.17	16.58	73	5.40	13435.03
8/24/2023	8.65	65693	74502	140.1950	1.48	16.91	73	5.99	17304.55
8/25/2023				0.0000					0.00
8/26/2023				0.0000					0.00
8/27/2023				0.0000					0.00
8/28/2023	11.64	77809	103409	181.2180	1.54	16.26	72	5.94	23274.92
8/29/2023	17.16	67355	90938	158.2930	2.60	16.52	72	5.69	34324.25
8/30/2023	9.04	54138	59327	113.4650	1.91	16.16	73	5.86	18074.29
8/31/2023	8.05	31604	48803	80.4070	2.40	16.02	72	5.65	16094.27
9/1/2023				0.0000					0.00
9/2/2023				0.0000					0.00
9/3/2023				0.0000					0.00
9/4/2023				0.0000					0.00
9/5/2023	9.82	79981	93117	173.0980	1.36	18.49	72	5.57	19633.47
9/6/2023	8.72	74320	80160	154.4800	1.35	16.25	71	5.58	17444.44
9/7/2023	7.59	60035	70902	130.9370	1.39	14.89	73	5.52	15179.00
9/8/2023	5.30	42462	50377	92.8390	1.37	14.86	72	5.38	10607.60
9/9/2023				0.0000					0.00
9/10/2023				0.0000					0.00
9/11/2023	2.37		55746	55.7460	1.02	15.38	72	5.78	4746.85
9/12/2023	3.93		89697	89.6970	1.05	14.72	72	5.42	7854.77
9/13/2023	13.13		268132	268.1320	1.17	15.32	73	5.34	26253.23
9/14/2023	4.74		92472	92.4720	1.23	14.59	73	5.79	9485.96
9/15/2023	4.32		59594	59.5940	1.74	14.5	74	6.20	8648.04
9/16/2023				0.0000					0.00
9/17/2023				0.0000					0.00
9/18/2023	5.14		96974	96.9740	1.27	15.98	72	6.07	10271.29
9/19/2023	4.85		93001	93.0010	1.25	14.03	72	6.11	9695.35
9/20/2023	11.43		198680	198.6800	1.38	13.91	73	5.63	22866.48
9/21/2023	2.21		56973	56.9730	0.93	14.89	71	5.62	4418.94
9/22/2023				0.0000					0.00
9/23/2023				0.0000					0.00
9/24/2023				0.0000					0.00
9/25/2023	5.19		82936	82.9360	1.50	14.86	72	5.63	10375.29
9/26/2023	19.75		89010	89.0100	5.32	14.51	72	5.32	39500.09
9/27/2023	9.12		162014	162.0140	1.35	14.73	72	5.41	18241.16
9/28/2023	11.60		206048	206.0480	1.35	14.73	72	5.41	23198.94



Brookside Laboratories, Inc.
Analysis Report

200 White Mountain Drive
New Bremen, OH 45869
Phone: (419) 977-2766
Fax: (419) 977-2767

Client Number: 66835
Client Name: Warren County Water & Sewer
Consultant Name: Home Office
Date Collected: 08/21/2023
Date Received: 08/25/2023

Lab Number: VE0825017
Location: LIME STABILIZED
Description: SLUDGE
Sub Description:

	<u>% Dry Basis</u>	<u>% Wet Basis</u>	<u>lbs/Ton Dry</u>	<u>lbs/Ton Wet</u>	<u>lbs/1000 gal</u>
TOTAL SOLIDS	100	3.113	2000	62	262
NITROGEN-TOTAL KJELDAHL (TKN)	4.562	0.142	91.2303	2.8400	11.9688
NITROGEN- AMMONIA (EPA 350.1)	0.826	0.026	16.5114	0.5140	2.1662
NITROGEN-ORGANIC	3.736	0.116	74.7189	2.3260	9.8026
PHOSPHORUS-TOTAL (ICP)	1.411	0.044	28.2280	0.8787	3.7033
PHOSPHORUS AS P2O5	3.234	0.101	64.6816	2.0135	8.4858
POTASSIUM	0.215	0.007	4.3044	0.1340	0.5647
POTASSIUM AS K2O	0.259	0.008	5.1851	0.1614	0.6802
TOTAL VOLATILE SOLIDS (TVS)	45.254	1.409	905.0800	28.1751	118.7406

pH		12.91 SU
SPECIFIC GRAVITY		1.01 g/ml
NITROGEN-NITRATE & NITRITE	67.46 %	2.10 %
FIELD pH		12.20 SU
CALCIUM	9.5E+4 mg/kg	2964.04 mg/kg
MAGNESIUM	5164.00 mg/kg	160.76 mg/kg

	<u>mg/kg Dry Basis</u>	<u>mg/kg Wet Basis</u>	<u>lbs/Ton Dry</u>	<u>lbs/Ton Wet</u>	<u>lbs/1000 gal</u>
ARSENIC	< 2.00	< 0.06	< 0.0040	< 1.2E-4	< 0.0169
CADMIUM	2.80	0.09	0.0056	1.7E-4	0.0007
CHROMIUM-TOTAL (Cr)	24.00	0.75	0.0480	0.0015	0.0063
COPPER	237.60	7.40	0.4752	0.0148	0.0623
LEAD	6.20	0.19	0.0124	0.0004	0.0016
MERCURY	0.40	0.01	0.0008	2.4E-5	1.0E-4
MOLYBDENUM	4.00	0.12	0.0080	0.0002	0.0010
NICKEL	13.60	0.42	0.0272	0.0008	0.0036
SELENIUM	< 2.00	< 0.06	< 0.0040	< 1.2E-4	< 0.0169
ZINC	456.50	14.21	0.9130	0.0284	0.1198

Approval:

Comments:

Erica Cheek
Environmental & Geotechnical Manager



Brookside Laboratories, Inc.
Analysis Report

200 White Mountain Drive
New Bremen, OH 45869
Phone: (419) 977-2766
Fax: (419) 977-2767

Client Number: 66835
Client Name: Warren County Water & Sewer
Consultant Name: Home Office
Date Collected: 08/21/2023
Date Received: 08/25/2023

Lab Number: VE0825017
Location: LIME STABILIZED
Description: SLUDGE
Sub Description:

MAXIMUM AWSAR 136.78 Dry Ton/Acre 4393.83 Wet Ton/Acre
(BASED ON POLLUTANT LOADING)
LIMITING POLLUTANT: ZINC

PLEASE NOTE: Maximum Annual Whole Sludge Application Rate (AWSAR) is calculated based on Part 503 regulations which were published in Fed. Reg. 2/19/93 and subsequently revised (Fed. Reg. 2/25/94). Each State where the sludge is used may have more stringent requirement based on other factors such as nutrient or hydraulic loading limits. Please use the most restrictive limit when applying sludge to crop land.

Approval:

Comments:

Erica Cheek
Environmental & Geotechnical Manager



Environmental Department
200 White Mountain Dr.
New Bremen, OH 45869
(419)977-2766

In order for analysis to be completed correctly, please fill this out this form completely.
If you have any questions please contact the laboratory or the environmental manager.

CHAIN OF CUSTODY ⁴⁶⁸³⁵ ^{AEM} ^{4/1/23}

CLIENT: <i>Warren County</i>		ACCOUNT NO: <i>66835</i>		TEST METHODS: (IF SPECIFIED)																																						
REPORT ADDRESS: <i>PO Box 330 Lebanon OH 45066</i>		INVOICE ADDRESS: <i>same</i>																																								
ATTN: <i>Angie Tipton</i>		ATTN: <i>Angie Tipton</i>		TESTS REQUESTED										State Samples Collected:																												
PHONE NO: <i>937-373-2280</i>		P.O. NO:		<i>Cd, Cr, Cu, Pb Hg, Cl, Fe, C, F Mo, N, Organic Total P, PKAD K, K₂O, TVS pH, AS, SL Se, Zn, Ca, Mg NO₂, Ni, TS TKN NO₂-NO₃ NH₃ Specific Gravity</i>										# AND TYPE OF CONTAINERS																												
EMAIL: <i>at5994@hotmail.com</i>		QUOTE NO:												HCl/NaOH	HNO ₃	H ₂ SO ₄	Other	None	LAB USE ONLY																							
TURNAROUND TIME (additional fees)																																										
<input checked="" type="checkbox"/> Standard (none)		<input type="checkbox"/> 3 Day (+50%)																																								
<input type="checkbox"/> 5 Day (+25%)		<input type="checkbox"/> 24 hr Rush (+100%)																																								
Date Needed: _____																																										
SAMPLE ID	DATE	TIME	C/G	MATRIX	FIELD pH	Cd	Cr	Cu	Pb	Hg	Cl	Fe	C	F	Mo	N	Organic	Total P	PKAD	K	K ₂ O	TVS	pH	AS	SL	Se	Zn	Ca	Mg	NO ₂	Ni	TS	TKN	NO ₂ -NO ₃	NH ₃	Specific Gravity	HCl/NaOH	HNO ₃	H ₂ SO ₄	Other	None	LAB USE ONLY
<i>Lime Stabilized Sludge</i>	<i>8/21/23</i>	<i>1000</i>	<i>C</i>	<i>VE</i>	<i>12.2</i>	<i>X</i>	<i>X</i>	<i>X</i>	<i>X</i>	<i>X</i>	<i>X</i>	<i>X</i>	<i>X</i>	<i>X</i>	<i>X</i>	<i>X</i>	<i>X</i>	<i>X</i>	<i>X</i>	<i>X</i>	<i>X</i>	<i>X</i>	<i>X</i>	<i>X</i>	<i>X</i>	<i>X</i>	<i>X</i>	<i>X</i>	<i>X</i>	<i>X</i>	<i>X</i>	<i>X</i>	<i>X</i>	<i>X</i>	<i>X</i>	<i>X</i>	<i>X</i>	<i>X</i>	<i>X</i>	<i>X</i>	<i>X</i>	<i>VE0825017</i>
QC DELIVERABLES: <input type="checkbox"/> Level 1 <input type="checkbox"/> Level 2 <input type="checkbox"/> Level 3 <input type="checkbox"/> Level 4 <input type="checkbox"/> Other				COMMENTS: <i>1000</i>																																						
RELINQUISHED BY: <i>Angie Tipton</i>				DATE/TIME: <i>8/23/23</i>				RECEIVED BY:				DATE/TIME:																														
RELINQUISHED BY:				DATE/TIME:				RECEIVED BY:				DATE/TIME:																														
MATRIX CODES: DE-drinking water SE-soil OE-oil IS-industrial solid IL-industrial liquid WE-groundwater UE-wastewater VE-sludge TE-tissue XE-fertilizer																																										

Brookside LABS

Date: 8/25/23

Client-Form: 66835 - 7

Received By: AW

an **Amplify** connection

Record of Receipt Conditions. All samples were inspected and observed to conform to receipt policies, except any noted below.

Chain of Custody? Yes No
Are Analyses Clear? Yes No
Do matrixes/samples match descriptors? Yes No

Shipping Container and Cooler in Good Condition? Yes No NA
Cooler Present? Yes No
Ice Present? Ice Packs Yes No

Any Damaged Sample Containers? Yes No

Are Samples....

Of sufficient quantity for the desired tests? Yes No
Within designated holding time? Yes No
Within acceptable temperature range (0-6°C)? Yes No
In proper containers? Yes No
Properly preserved? Yes No NA
Within correct headspace? Yes No NA
Were pH ranges acceptable (waters only)? Yes No NA
- Metals, 525.2, Oil & Grease, PO4 <2 - Cyanide >12

Holding times capable of being met? Yes No

Discrepancies and Resolutions

Date of Contact:

Method of Contact:

Discrepancy (list sample ID):

Resolution:

Ohio EPA - Daily Discharge Monitoring Report - Form 4500

SUBMISSION ID: 1278106
FACILITY: Waynesville Regional WWTP
LOCATION: 444 US Rte 42 N
 Waynesville, OH 45068
COUNTY: Warren
DISTRICT: SWDO

STATUS: Original
PERMIT NUMBER: 1PB00032*MD
STATION CODE: 001
MONITORING PERIOD : 2023-09-01 To: 2023-09-30
REPORTING LAB: WWTP Masi
ANALYST: Angie Tipton
NO DISCHARGE INDICATOR:

PARAMETER	Water Temperature	Dissolved Oxygen	pH	Flow Rate	Chlorine, Total Residual	Total Suspended Solids	Nitrogen, Ammonia (NH3)
PARAMETER CODE	00010	00300	00400	50050	50060	00530	00610
UNITS	C	mg/l	S.U.	MGD	mg/l	mg/l	mg/l
FREQUENCY	1/Day	1/Day	1/Day	1/Day	1/Day	2/Week	2/Week
SAMPLING TYPE	Maximum Indicating Thermometer	Grab	Grab	Continuous	Grab	24hr Composite	24hr Composite
2023-09-01	20	7.5	7.2	0.366	0.05		
2023-09-02	AN	AN	AN	0.325	AN		
2023-09-03	AN	AN	AN	0.47	AN		
2023-09-04	AN	AN	AN	0.307	AN		
2023-09-05	22	6.8	7.0	0.345	0.06		
2023-09-06	22	6.6	7.0	0.366	0.02	4	AA .1
2023-09-07	22	6.7	7.1	0.325	0.03	4	AA .1
2023-09-08	22	7.1	6.9	0.405	0.02		
2023-09-09	AN	AN	AN	0.322	AN		
2023-09-10	AN	AN	AN	0.385	AN		
2023-09-11	21	7.6	7.1	0.333	0.02		
2023-09-12	21	6.8	7.0	0.421	0.02		
2023-09-13	21	7.6	7.0	0.393	0.03	4	AA .1
2023-09-14	20	7.5	7.1	0.354	0.06	1	AA .1
2023-09-15	20	7.8	7.3	0.343	0.02		
2023-09-16	AN	AN	AN	0.402	AN		
2023-09-17	AN	AN	AN	0.356	AN		
2023-09-18	20	7.7	7.2	0.303	0.03		
2023-09-19	19	7.5	7.1	0.264	0.02		
2023-09-20	19	7.9	7.0	0.454	0.01	2	AA .1
2023-09-21	20	7.6	7.1	0.425	0.01	2	AA .1
2023-09-22	21	7.4	7.0	0.39	0.01		
2023-09-23	AN	AN	AN	0.413	AN		
2023-09-24	AN	AN	AN	0.476	AN		
2023-09-25	20	7.7	6.9	0.329	0.01		
2023-09-26	20	7.8	7.3	0.242	AA .05		
2023-09-27	20	8.0	7.0	0.315	0.01	5	AA .1
2023-09-28	20	7.4	7.1	0.231	0.01	2	AA .1
2023-09-29	21	7.7	7.3	0.246	0.01		
2023-09-30	AN	AN	AN	0.269	AN		
Minimum	19.0	6.6	6.9	0.231	0.0	1.0	0.0
Maximum	22.0	8.0	7.3	0.476	0.06	5.0	0.0
Average	20.55	7.435		0.3525	0.0225	3	0
Count	20	20	20	30	20	8	8

Name of Responsible Official or Authorized Representative	I certify under the penalty of law that I have personally examined and am familiar with the information submitted herein and based on my inquiry of those individuals immediately responsible for obtaining the information, I believe the submitted information is true, accurate and complete. I am aware that there are significant penalties for submitting false information, including the possibility of fine and imprisonment.	Signature of Responsible Official or Authorized Representative	Submission Date/Time
Angela Tipton			Certification Version Date 2023-10-11 13:10

Ohio EPA - Daily Discharge Monitoring Report - Form 4500

SUBMISSION ID: 1278106
FACILITY: Waynesville Regional WWTP
LOCATION: 444 US Rte 42 N
 Waynesville, OH 45068
COUNTY: Warren
DISTRICT: SWDO

STATUS: Original
PERMIT NUMBER: 1PB00032*MD
STATION CODE: 001
MONITORING PERIOD : 2023-09-01 To: 2023-09-30
REPORTING LAB: WWTP Masi
ANALYST: Angie Tipton
NO DISCHARGE INDICATOR:

PARAMETER	E. coli	CBOD 5 day	Phosphorus, Total (P)	Nitrogen Kjeldahl, Total	Nitrite Plus Nitrate, Total	Residue, Total Filterable	
PARAMETER CODE	31648	80082	00665	00625	00630	70300	
UNITS	#/100 ml	mg/l	mg/l	mg/l	mg/l	mg/l	
FREQUENCY	2/Week	2/Week	1 / 2 Weeks	1/Month	1/Month	1/Month	
SAMPLING TYPE	Grab	24hr Composite	24hr Composite	24hr Composite	24hr Composite	24hr Composite	
2023-09-01							
2023-09-02							
2023-09-03							
2023-09-04							
2023-09-05			1	0.9	26.1	756	
2023-09-06	AK	4.13					
2023-09-07	AK	3.6					
2023-09-08							
2023-09-09							
2023-09-10							
2023-09-11							
2023-09-12							
2023-09-13	AK	AA 3					
2023-09-14	AA 20	AA 3					
2023-09-15							
2023-09-16							
2023-09-17							
2023-09-18							
2023-09-19			2.26				
2023-09-20	13	AA 3					
2023-09-21	7	AA 3					
2023-09-22							
2023-09-23							
2023-09-24							
2023-09-25							
2023-09-26							
2023-09-27	AK	4.72					
2023-09-28	3	3.08					
2023-09-29							
2023-09-30							
Minimum	0.0	0.0	1.0	0.9	26.1	756.0	
Maximum	13.0	4.72	2.26	0.9	26.1	756.0	
Average	5.75	1.94125	1.63	0.9	26.1	756	
Count	4	8	2	1	1	1	

Name of Responsible Official or Authorized Representative	I certify under the penalty of law that I have personally examined and am familiar with the information submitted herein and based on my inquiry of those individuals immediately responsible for obtaining the information, I believe the submitted information is true, accurate and complete. I am aware that there are significant penalties for submitting false information, including the possibility of fine and imprisonment.	Signature of Responsible Official or Authorized Representative		Submission Date/Time
Angela Tipton				Certification Version Date 2023-10-11 13:10

Ohio EPA - Daily Discharge Monitoring Report - Form 4500

SUBMISSION ID: 1278106
FACILITY: Waynesville Regional WWTP
LOCATION: 444 US Rte 42 N
 Waynesville, OH 45068
COUNTY: Warren
DISTRICT: SWDO

STATUS: Original
PERMIT NUMBER: 1PB00032*MD
STATION CODE: 300
MONITORING PERIOD : 2023-09-01 To: 2023-09-30
REPORTING LAB: County
ANALYST: Angie Tipton
NO DISCHARGE INDICATOR:

PARAMETER	Overflow Occurrence					
PARAMETER CODE	74062					
UNITS	No./Month					
FREQUENCY	1/Month					
SAMPLING TYPE	Total					
2023-09-01	0					
2023-09-02						
2023-09-03						
2023-09-04						
2023-09-05						
2023-09-06						
2023-09-07						
2023-09-08						
2023-09-09						
2023-09-10						
2023-09-11						
2023-09-12						
2023-09-13						
2023-09-14						
2023-09-15						
2023-09-16						
2023-09-17						
2023-09-18						
2023-09-19						
2023-09-20						
2023-09-21						
2023-09-22						
2023-09-23						
2023-09-24						
2023-09-25						
2023-09-26						
2023-09-27						
2023-09-28						
2023-09-29						
2023-09-30						
Minimum	0.0					
Maximum	0.0					
Average	0					
Count	1					
Name of Responsible Official or Authorized Representative	I certify under the penalty of law that I have personally examined and am familiar with the information submitted herein and based on my inquiry of those individuals immediately responsible for obtaining the information, I believe the submitted information is true, accurate and complete. I am aware that there are significant penalties for submitting false information, including the possibility of fine and imprisonment.			Signature of Responsible Official or Authorized Representative		Submission Date/Time
Angela Tipton						Certification Version Date 2023-10-11 13:10

Ohio EPA - Daily Discharge Monitoring Report - Form 4500

SUBMISSION ID: 1278106
FACILITY: Waynesville Regional WWTP
LOCATION: 444 US Rte 42 N
 Waynesville, OH 45068
COUNTY: Warren
DISTRICT: SWDO

STATUS: Original
PERMIT NUMBER: 1PB00032*MD
STATION CODE: 601
MONITORING PERIOD : 2023-09-01 To: 2023-09-30
REPORTING LAB: County
ANALYST: Angie Tipton
NO DISCHARGE INDICATOR:

PARAMETER	pH	Total Suspended Solids	CBOD 5 day				
PARAMETER CODE	00400	00530	80082				
UNITS	S.U.	mg/l	mg/l				
FREQUENCY	1/Day	2/Week	2/Week				
SAMPLING TYPE	Grab	24hr Composite	24hr Composite				
2023-09-01	7.4						
2023-09-02	AN						
2023-09-03	AN						
2023-09-04	AN						
2023-09-05	7.3						
2023-09-06	7.3	400	217				
2023-09-07	7.3	190	232				
2023-09-08	7.3						
2023-09-09	AN						
2023-09-10	AN						
2023-09-11	7.2						
2023-09-12	7.2						
2023-09-13	7.3	190	204				
2023-09-14	7.4	210	236				
2023-09-15	7.4						
2023-09-16	AN						
2023-09-17	AN						
2023-09-18	7.4						
2023-09-19	7.4						
2023-09-20	7.3	390	269				
2023-09-21	7.4	330	192				
2023-09-22	7.3						
2023-09-23	AN						
2023-09-24	AN						
2023-09-25	7.0						
2023-09-26	7.5						
2023-09-27	7.3	240	299				
2023-09-28	7.3	190	192				
2023-09-29	7.4						
2023-09-30	AN						
Minimum	7.0	190.0	192.0				
Maximum	7.5	400.0	299.0				
Average		267.5	230.125				
Count	20	8	8				

Name of Responsible Official or Authorized Representative	I certify under the penalty of law that I have personally examined and am familiar with the information submitted herein and based on my inquiry of those individuals immediately responsible for obtaining the information, I believe the submitted information is true, accurate and complete. I am aware that there are significant penalties for submitting false information, including the possibility of fine and imprisonment.	Signature of Responsible Official or Authorized Representative		Submission Date/Time
Angela Tipton				Certification Version Date 2023-10-11 13:10

Ohio EPA - Daily Discharge Monitoring Report - Form 4500

SUBMISSION ID: 1278106
FACILITY: Waynesville Regional WWTP
LOCATION: 444 US Rte 42 N
 Waynesville, OH 45068
COUNTY: Warren
DISTRICT: SWDO

STATUS: Original
PERMIT NUMBER: 1PB00032*MD
STATION CODE: 901
MONITORING PERIOD : 2023-09-01 To: 2023-09-30
REPORTING LAB: County
ANALYST: Angie Tipton
NO DISCHARGE INDICATOR:

PARAMETER	Water Temperature	pH				
PARAMETER CODE	00010	00400				
UNITS	C	S.U.				
FREQUENCY	1/Month	1/Month				
SAMPLING TYPE	Grab	Grab				
2023-09-01						
2023-09-02						
2023-09-03						
2023-09-04						
2023-09-05						
2023-09-06						
2023-09-07						
2023-09-08						
2023-09-09						
2023-09-10						
2023-09-11						
2023-09-12						
2023-09-13						
2023-09-14						
2023-09-15						
2023-09-16						
2023-09-17						
2023-09-18						
2023-09-19						
2023-09-20						
2023-09-21	18	7.9				
2023-09-22						
2023-09-23						
2023-09-24						
2023-09-25						
2023-09-26						
2023-09-27						
2023-09-28						
2023-09-29						
2023-09-30						
Minimum	18.0	7.9				
Maximum	18.0	7.9				
Average	18					
Count	1	1				
Name of Responsible Official or Authorized Representative	I certify under the penalty of law that I have personally examined and am familiar with the information submitted herein and based on my inquiry of those individuals immediately responsible for obtaining the information, I believe the submitted information is true, accurate and complete. I am aware that there are significant penalties for submitting false information, including the possibility of fine and imprisonment.			Signature of Responsible Official or Authorized Representative		Submission Date/Time
Angela Tipton						2023-10-11 13:10

Ohio EPA - Daily Discharge Monitoring Report - Form 4500

FACILITY:
LOCATION:

Waynesville Regional WWTP
444 US Rte 42 N
Waynesville, OH 45068

PERMIT NUMBER:
MONITORING PERIOD :

1PB00032*MD
2023-09-01 To: 2023-09-30

PARAMETER COMMENTS:

Station Code	Parameter Name	Parameter Code	Date	Unit	Comment
001	Flow Rate	50050	2023-09-05	MGD	Flow rate was estimated from 9-5 to 9-19 because flow meter was not working properly
300	Overflow Occurrence	74062	2023-09-01	No./Month	no overflows in September

Ohio EPA - Daily Discharge Monitoring Report - Form 4500

SUBMISSION ID: 1247590
FACILITY: Waynesville Regional WWTP
LOCATION: 444 US Rte 42 N
 Waynesville, OH 45068
COUNTY: Warren
DISTRICT: SWDO

STATUS: Original
PERMIT NUMBER: 1PB00032*MD
STATION CODE: 001
MONITORING PERIOD : 2023-05-01 To: 2023-05-31
REPORTING LAB: WWTP Masi
ANALYST: Angie Tipton
NO DISCHARGE INDICATOR:

PARAMETER	Water Temperature	Dissolved Oxygen	pH	Flow Rate	Chlorine, Total Residual	Total Suspended Solids	Nitrogen, Ammonia (NH3)
PARAMETER CODE	00010	00300	00400	50050	50060	00530	00610
UNITS	C	mg/l	S.U.	MGD	mg/l	mg/l	mg/l
FREQUENCY	1/Day	1/Day	1/Day	1/Day	1/Day	2/Week	2/Week
SAMPLING TYPE	Maximum Indicating Thermometer	Grab	Grab	Continuous	Grab	24hr Composite	24hr Composite
2023-05-01	13	8.5	6.9	0.777	AA 0		
2023-05-02	14	8.4	7.1	0.816	0.03	2	AA .1
2023-05-03	14	8.9	7.0	0.637	0.03		
2023-05-04	14	8.8	7.0	0.569	0.03	9	AA .1
2023-05-05	14	8.6	7.0	0.568	0.05		
2023-05-06	AN	AN	AN	0.759	AN		
2023-05-07	AN	AN	AN	1.658	AN		
2023-05-08	14	8.1	7.1	1.062	0.03		
2023-05-09	15	8.4	6.9	0.781	0.02	11	AA .1
2023-05-10	14	8.7	7.0	0.43	0.04		
2023-05-11	15	8.5	7.0	0.571	0.02	6	AA .1
2023-05-12	15	9.1	7.0	0.659	0.03		
2023-05-13	AN	AN	AN	0.571	AN		
2023-05-14	AN	AN	AN	0.506	AN		
2023-05-15	15	8.7	7.2	0.488	0.02		
2023-05-16	16	8.2	7.0	0.568	0.04	5	AA .1
2023-05-17	15	8.0	7.0	0.449	0.03		
2023-05-18	15	6.7	7.0	0.449	AA 0	8	1.86
2023-05-19	16	7.7	7.1	0.499	0.04		
2023-05-20	AN	AN	AN	0.468	AN		
2023-05-21	AN	AN	AN	0.417	AN		
2023-05-22	16	7.9	7.2	0.413	0.03		
2023-05-23	16	7.9	7.1	0.381	0.03	7	AA .1
2023-05-24	16	8.0	7.2	0.378	0.04		
2023-05-25	15	8.3	7.3	0.371	0.02	7	0.103
2023-05-26	16	8.3	7.3	0.381	0.03		
2023-05-27	AN	AN	AN	0.397	AN		
2023-05-28	AN	AN	AN	0.381	AN		
2023-05-29	AN	AN	AN	0.37	AN		
2023-05-30	17	8.2	7.3	0.339	0.03		
2023-05-31	18	7.9	7.3	0.314	0.01		
Minimum	13.0	6.7	6.9	0.314	0.0	2.0	0.0
Maximum	18.0	9.1	7.3	1.658	0.05	11.0	1.86
Average	15.13636	8.26364		0.56216	0.02727	6.875	0.24538
Count	22	22	22	31	22	8	8

Name of Responsible Official or Authorized Representative	I certify under the penalty of law that I have personally examined and am familiar with the information submitted herein and based on my inquiry of those individuals immediately responsible for obtaining the information, I believe the submitted information is true, accurate and complete. I am aware that there are significant penalties for submitting false information, including the possibility of fine and imprisonment.	Signature of Responsible Official or Authorized Representative	Submission Date/Time
Angela Tipton			Certification Version Date 2023-06-16 14:06

Ohio EPA - Daily Discharge Monitoring Report - Form 4500

SUBMISSION ID: 1247590
FACILITY: Waynesville Regional WWTP
LOCATION: 444 US Rte 42 N
 Waynesville, OH 45068
COUNTY: Warren
DISTRICT: SWDO

STATUS: Original
PERMIT NUMBER: 1PB00032*MD
STATION CODE: 001
MONITORING PERIOD : 2023-05-01 To: 2023-05-31
REPORTING LAB: WWTP Masi
ANALYST: Angie Tipton
NO DISCHARGE INDICATOR:

PARAMETER	E. coli	CBOD 5 day	Phosphorus, Total (P)	Nitrogen Kjeldahl, Total	Nitrite Plus Nitrate, Total	Residue, Total Filterable	
PARAMETER CODE	31648	80082	00665	00625	00630	70300	
UNITS	#/100 ml	mg/l	mg/l	mg/l	mg/l	mg/l	
FREQUENCY	2/Week	2/Week	1 / 2 Weeks	1/Month	1/Month	1/Month	
SAMPLING TYPE	Grab	24hr Composite	24hr Composite	24hr Composite	24hr Composite	24hr Composite	
2023-05-01							
2023-05-02	AA 20	3.6	0.23	0.9	14.7		
2023-05-03							
2023-05-04	23	3.5					
2023-05-05							
2023-05-06							
2023-05-07							
2023-05-08							
2023-05-09	AA 20	3.1					
2023-05-10							
2023-05-11	30	AA 3					
2023-05-12							
2023-05-13							
2023-05-14							
2023-05-15							
2023-05-16	28	3.7	0.14				
2023-05-17							
2023-05-18	AA 20	5.8					
2023-05-19						700	
2023-05-20							
2023-05-21							
2023-05-22							
2023-05-23		AA 3					
2023-05-24	39						
2023-05-25	49	4.3					
2023-05-26							
2023-05-27							
2023-05-28							
2023-05-29							
2023-05-30							
2023-05-31							
Minimum	0.0	0.0	0.14	0.9	14.7	700.0	
Maximum	49.0	5.8	0.23	0.9	14.7	700.0	
Average	21.125	3	0.185	0.9	14.7	700	
Count	8	8	2	1	1	1	

Name of Responsible Official or Authorized Representative	I certify under the penalty of law that I have personally examined and am familiar with the information submitted herein and based on my inquiry of those individuals immediately responsible for obtaining the information, I believe the submitted information is true, accurate and complete. I am aware that there are significant penalties for submitting false information, including the possibility of fine and imprisonment.	Signature of Responsible Official or Authorized Representative		Submission Date/Time
Angela Tipton				Certification Version Date 2023-06-16 14:06

Ohio EPA - Daily Discharge Monitoring Report - Form 4500

SUBMISSION ID: 1247590
FACILITY: Waynesville Regional WWTP
LOCATION: 444 US Rte 42 N
 Waynesville, OH 45068
COUNTY: Warren
DISTRICT: SWDO

STATUS: Original
PERMIT NUMBER: 1PB00032*MD
STATION CODE: 300
MONITORING PERIOD : 2023-05-01 To: 2023-05-31
REPORTING LAB: County
ANALYST: Angie Tipton
NO DISCHARGE INDICATOR:

PARAMETER	Overflow Occurrence					
PARAMETER CODE	74062					
UNITS	No./Month					
FREQUENCY	1/Month					
SAMPLING TYPE	Total					
2023-05-01	0					
2023-05-02						
2023-05-03						
2023-05-04						
2023-05-05						
2023-05-06						
2023-05-07						
2023-05-08						
2023-05-09						
2023-05-10						
2023-05-11						
2023-05-12						
2023-05-13						
2023-05-14						
2023-05-15						
2023-05-16						
2023-05-17						
2023-05-18						
2023-05-19						
2023-05-20						
2023-05-21						
2023-05-22						
2023-05-23						
2023-05-24						
2023-05-25						
2023-05-26						
2023-05-27						
2023-05-28						
2023-05-29						
2023-05-30						
2023-05-31						
Minimum	0.0					
Maximum	0.0					
Average	0					
Count	1					

Name of Responsible Official or Authorized Representative	I certify under the penalty of law that I have personally examined and am familiar with the information submitted herein and based on my inquiry of those individuals immediately responsible for obtaining the information, I believe the submitted information is true, accurate and complete. I am aware that there are significant penalties for submitting false information, including the possibility of fine and imprisonment.	Signature of Responsible Official or Authorized Representative	Submission Date/Time
Angela Tipton			Certification Version Date 2023-06-16 14:06

Ohio EPA - Daily Discharge Monitoring Report - Form 4500

SUBMISSION ID: 1247590
FACILITY: Waynesville Regional WWTP
LOCATION: 444 US Rte 42 N
 Waynesville, OH 45068
COUNTY: Warren
DISTRICT: SWDO

STATUS: Original
PERMIT NUMBER: 1PB00032*MD
STATION CODE: 601
MONITORING PERIOD : 2023-05-01 To: 2023-05-31
REPORTING LAB: County
ANALYST: Angie Tipton
NO DISCHARGE INDICATOR:

PARAMETER	pH	Total Suspended Solids	CBOD 5 day				
PARAMETER CODE	00400	00530	80082				
UNITS	S.U.	mg/l	mg/l				
FREQUENCY	1/Day	2/Week	2/Week				
SAMPLING TYPE	Grab	24hr Composite	24hr Composite				
2023-05-01	7.1						
2023-05-02	7.5	104	126				
2023-05-03	7.3						
2023-05-04	7.3	88	121				
2023-05-05	7.3						
2023-05-06	AN						
2023-05-07	AN						
2023-05-08	7.4						
2023-05-09	7.2	100	96				
2023-05-10	7.2						
2023-05-11	7.4	88	122				
2023-05-12	7.2						
2023-05-13	AN						
2023-05-14	AN						
2023-05-15	7.3						
2023-05-16	7.3	132	129				
2023-05-17	7.2						
2023-05-18	7.2	124	117				
2023-05-19	7.4						
2023-05-20	AN						
2023-05-21	AN						
2023-05-22	7.2						
2023-05-23	7.4	188	135				
2023-05-24	7.5						
2023-05-25	7.3	196	107				
2023-05-26	7.4						
2023-05-27	AN						
2023-05-28	AN						
2023-05-29	AN						
2023-05-30	7.3						
2023-05-31	7.3						
Minimum	7.1	88.0	96.0				
Maximum	7.5	196.0	135.0				
Average		127.5	119.125				
Count	22	8	8				

Name of Responsible Official or Authorized Representative	I certify under the penalty of law that I have personally examined and am familiar with the information submitted herein and based on my inquiry of those individuals immediately responsible for obtaining the information, I believe the submitted information is true, accurate and complete. I am aware that there are significant penalties for submitting false information, including the possibility of fine and imprisonment.	Signature of Responsible Official or Authorized Representative		Submission Date/Time
Angela Tipton				Certification Version Date 2023-06-16 14:06

Ohio EPA - Daily Discharge Monitoring Report - Form 4500

SUBMISSION ID: 1247590
FACILITY: Waynesville Regional WWTP
LOCATION: 444 US Rte 42 N
 Waynesville, OH 45068
COUNTY: Warren
DISTRICT: SWDO

STATUS: Original
PERMIT NUMBER: 1PB00032*MD
STATION CODE: 901
MONITORING PERIOD : **2023-05-01 To: 2023-05-31**
REPORTING LAB: County
ANALYST: Angie Tipton
NO DISCHARGE INDICATOR:

PARAMETER	Water Temperature	pH				
PARAMETER CODE	00010	00400				
UNITS	C	S.U.				
FREQUENCY	1/Month	1/Month				
SAMPLING TYPE	Grab	Grab				
2023-05-01						
2023-05-02						
2023-05-03						
2023-05-04						
2023-05-05						
2023-05-06						
2023-05-07						
2023-05-08						
2023-05-09						
2023-05-10						
2023-05-11						
2023-05-12						
2023-05-13						
2023-05-14						
2023-05-15						
2023-05-16						
2023-05-17						
2023-05-18						
2023-05-19	17	8.1				
2023-05-20						
2023-05-21						
2023-05-22						
2023-05-23						
2023-05-24						
2023-05-25						
2023-05-26						
2023-05-27						
2023-05-28						
2023-05-29						
2023-05-30						
2023-05-31						
Minimum	17.0	8.1				
Maximum	17.0	8.1				
Average	17					
Count	1	1				

Name of Responsible Official or Authorized Representative	I certify under the penalty of law that I have personally examined and am familiar with the information submitted herein and based on my inquiry of those individuals immediately responsible for obtaining the information, I believe the submitted information is true, accurate and complete. I am aware that there are significant penalties for submitting false information, including the possibility of fine and imprisonment.	Signature of Responsible Official or Authorized Representative	Submission Date/Time
Angela Tipton			Certification Version Date 2023-06-16 14:06

Ohio EPA - Daily Discharge Monitoring Report - Form 4500

FACILITY:
LOCATION:

Waynesville Regional WWTP
444 US Rte 42 N
Waynesville, OH 45068

PERMIT NUMBER:
MONITORING PERIOD :

1PB00032*MD
2023-05-01 To: 2023-05-31

PARAMETER COMMENTS:

Station Code	Parameter Name	Parameter Code	Date	Unit	Comment
300	Overflow Occurrence	74062	2023-05-01	No./Month	no overflows in may

Ohio EPA - Daily Discharge Monitoring Report - Form 4500

SUBMISSION ID: 1255552
FACILITY: Waynesville Regional WWTP
LOCATION: 444 US Rte 42 N
 Waynesville, OH 45068
COUNTY: Warren
DISTRICT: SWDO

STATUS: Original
PERMIT NUMBER: 1PB00032*MD
STATION CODE: 001
MONITORING PERIOD : 2023-06-01 To: 2023-06-30
REPORTING LAB: WWTP Masi
ANALYST: Angie Tipton
NO DISCHARGE INDICATOR:

PARAMETER	Water Temperature	Dissolved Oxygen	pH	Flow Rate	Chlorine, Total Residual	Total Suspended Solids	Nitrogen, Ammonia (NH3)
PARAMETER CODE	00010	00300	00400	50050	50060	00530	00610
UNITS	C	mg/l	S.U.	MGD	mg/l	mg/l	mg/l
FREQUENCY	1/Day	1/Day	1/Day	1/Day	1/Day	2/Week	2/Week
SAMPLING TYPE	Maximum Indicating Thermometer	Grab	Grab	Continuous	Grab	24hr Composite	24hr Composite
2023-06-01	18	8.0	7.4	0.308	0.05	8	AA .1
2023-06-02	18	8.0	7.3	0.347	0.03		
2023-06-03	AN	AN	AN	0.354	AN		
2023-06-04	AN	AN	AN	0.319	AN		
2023-06-05	16	7.7	7.3	0.31	0.01		
2023-06-06	17	8.0	7.2	0.292	0.05	8	0.11
2023-06-07	18	7.8	7.4	0.302	0.04		
2023-06-08	17	7.9	7.2	0.36	0.03	8	0.106
2023-06-09	17	7.6	7.3	0.34	0.05		
2023-06-10	AN	AN	AN	0.291	AN		
2023-06-11	AN	AN	AN	0.54	AN		
2023-06-12	18	7.5	7.0	0.436	0.01		
2023-06-13	17	8.1	7.2	0.503	0.03	9	0.112
2023-06-14	18	7.7	7.0	0.464	0.04		
2023-06-15	18	7.9	7.2	0.418	0.04	11	AA .1
2023-06-16	18	7.7	7.2	0.491	0.03		
2023-06-17	AN	AN	AN	0.521	AN		
2023-06-18	AN	AN	AN	0.336	AN		
2023-06-19	AN	AN	AN	0.475	AN		
2023-06-20	19	7.6	7.0	0.354	0.03	6	0.112
2023-06-21	19	8.4	7.3	0.342	0.02		
2023-06-22	17	7.6	7.1	0.396	AA 0	6	AA .1
2023-06-23	19	7.0	7.3	0.424	0.02		
2023-06-24	AN	AN	AN	0.321	AN		
2023-06-25	AN	AN	AN	0.368	AN		
2023-06-26	19	7.3	7.2	0.591	0.04		
2023-06-27	19	7.7	7.3	0.36	0.03	10	0.108
2023-06-28	19	7.4	7.0	0.349	0.05		
2023-06-29	19	7.5	7.4	0.349	0.05		
2023-06-30	18	8.1	7.2	0.491	0.02		
Minimum	16.0	7.0	7.0	0.291	0.0	6.0	0.0
Maximum	19.0	8.4	7.4	0.591	0.05	11.0	0.112
Average	18	7.7381		0.39173	0.0319	8.25	0.0685
Count	21	21	21	30	21	8	8

Name of Responsible Official or Authorized Representative	I certify under the penalty of law that I have personally examined and am familiar with the information submitted herein and based on my inquiry of those individuals immediately responsible for obtaining the information, I believe the submitted information is true, accurate and complete. I am aware that there are significant penalties for submitting false information, including the possibility of fine and imprisonment.	Signature of Responsible Official or Authorized Representative	Submission Date/Time
Angela Tipton			Certification Version Date 2023-07-18 14:07

Ohio EPA - Daily Discharge Monitoring Report - Form 4500

SUBMISSION ID: 1255552
FACILITY: Waynesville Regional WWTP
LOCATION: 444 US Rte 42 N
 Waynesville, OH 45068
COUNTY: Warren
DISTRICT: SWDO

STATUS: Original
PERMIT NUMBER: 1PB00032*MD
STATION CODE: 001
MONITORING PERIOD : 2023-06-01 To: 2023-06-30
REPORTING LAB: WWTP Masi
ANALYST: Angie Tipton
NO DISCHARGE INDICATOR:

PARAMETER	E. coli	CBOD 5 day	Phosphorus, Total (P)	Nitrogen Kjeldahl, Total	Nitrite Plus Nitrate, Total	Residue, Total Filterable	Oil and Grease, Hexane Extr Method
PARAMETER CODE	31648	80082	00665	00625	00630	70300	00552
UNITS	#/100 ml	mg/l	mg/l	mg/l	mg/l	mg/l	mg/l
FREQUENCY	2/Week	2/Week	1 / 2 Weeks	1/Month	1/Month	1/Month	1/Quarter
SAMPLING TYPE	Grab	24hr Composite	24hr Composite	24hr Composite	24hr Composite	24hr Composite	Grab
2023-06-01		3.4					
2023-06-02							
2023-06-03							
2023-06-04							
2023-06-05	22						
2023-06-06	50	6.1	0.52	0.6	25		AA 5
2023-06-07							
2023-06-08		AA 3					
2023-06-09							
2023-06-10							
2023-06-11							
2023-06-12	71						
2023-06-13	31	4					
2023-06-14							
2023-06-15	77	AA 3					
2023-06-16							
2023-06-17							
2023-06-18							
2023-06-19							
2023-06-20	AA 20	3.6				836	
2023-06-21							
2023-06-22		3.4					
2023-06-23	68						
2023-06-24							
2023-06-25							
2023-06-26							
2023-06-27	90	3.7	0.63				
2023-06-28							
2023-06-29							
2023-06-30							
Minimum	0.0	0.0	0.52	0.6	25.0	836.0	0.0
Maximum	90.0	6.1	0.63	0.6	25.0	836.0	0.0
Average	51.125	3.025	0.575	0.6	25	836	0
Count	8	8	2	1	1	1	1

Name of Responsible Official or Authorized Representative	I certify under the penalty of law that I have personally examined and am familiar with the information submitted herein and based on my inquiry of those individuals immediately responsible for obtaining the information, I believe the submitted information is true, accurate and complete. I am aware that there are significant penalties for submitting false information, including the possibility of fine and imprisonment.	Signature of Responsible Official or Authorized Representative		Submission Date/Time
Angela Tipton				Certification Version Date 2023-07-18 14:07

Ohio EPA - Daily Discharge Monitoring Report - Form 4500

SUBMISSION ID: 1255552
FACILITY: Waynesville Regional WWTP
LOCATION: 444 US Rte 42 N
 Waynesville, OH 45068
COUNTY: Warren
DISTRICT: SWDO

STATUS: Original
PERMIT NUMBER: 1PB00032*MD
STATION CODE: 001
MONITORING PERIOD : 2023-06-01 To: 2023-06-30
REPORTING LAB: WWTP Masi
ANALYST: Angie Tipton
NO DISCHARGE INDICATOR:

PARAMETER	Nickel, Total Recoverable	Zinc, Total Recoverable	Cadmium, Total Recoverable	Lead, Total Recoverable	Chromium, Total Recoverable	Copper, Total Recoverable	Chromium, Dissolved Hexavalent
PARAMETER CODE	01074	01094	01113	01114	01118	01119	01220
UNITS	ug/l	ug/l	ug/l	ug/l	ug/l	ug/l	ug/l
FREQUENCY	1/Quarter	1/Quarter	1/Quarter	1/Quarter	1/Quarter	1/Quarter	1/Quarter
SAMPLING TYPE	24hr Composite	24hr Composite	24hr Composite	24hr Composite	24hr Composite	24hr Composite	Grab
2023-06-01							
2023-06-02							
2023-06-03							
2023-06-04							
2023-06-05							
2023-06-06	AA 10	25	AA 5	AA 20	AA 10	13	AA 10
2023-06-07							
2023-06-08							
2023-06-09							
2023-06-10							
2023-06-11							
2023-06-12							
2023-06-13							
2023-06-14							
2023-06-15							
2023-06-16							
2023-06-17							
2023-06-18							
2023-06-19							
2023-06-20							
2023-06-21							
2023-06-22							
2023-06-23							
2023-06-24							
2023-06-25							
2023-06-26							
2023-06-27							
2023-06-28							
2023-06-29							
2023-06-30							
Minimum	0.0	25.0	0.0	0.0	0.0	13.0	0.0
Maximum	0.0	25.0	0.0	0.0	0.0	13.0	0.0
Average	0	25	0	0	0	13	0
Count	1	1	1	1	1	1	1

Name of Responsible Official or Authorized Representative	Signature of Responsible Official or Authorized Representative	Submission Date/Time
Angela Tipton		Certification Version Date 2023-07-18 14:07

I certify under the penalty of law that I have personally examined and am familiar with the information submitted herein and based on my inquiry of those individuals immediately responsible for obtaining the information, I believe the submitted information is true, accurate and complete. I am aware that there are significant penalties for submitting false information, including the possibility of fine and imprisonment.

Ohio EPA - Daily Discharge Monitoring Report - Form 4500

SUBMISSION ID: 1255552
FACILITY: Waynesville Regional WWTP
LOCATION: 444 US Rte 42 N
 Waynesville, OH 45068
COUNTY: Warren
DISTRICT: SWDO

STATUS: Original
PERMIT NUMBER: 1PB00032*MD
STATION CODE: 001
MONITORING PERIOD : 2023-06-01 To: 2023-06-30
REPORTING LAB: WWTP Masi
ANALYST: Angie Tipton
NO DISCHARGE INDICATOR:

PARAMETER	Mercury, Total (Low Level)					
PARAMETER CODE	5092					
UNITS	ng/l					
FREQUENCY	1/Quarter					
SAMPLING TYPE	Grab					
2023-06-01						
2023-06-02						
2023-06-03						
2023-06-04						
2023-06-05						
2023-06-06	AA .5					
2023-06-07						
2023-06-08						
2023-06-09						
2023-06-10						
2023-06-11						
2023-06-12						
2023-06-13						
2023-06-14						
2023-06-15						
2023-06-16						
2023-06-17						
2023-06-18						
2023-06-19						
2023-06-20						
2023-06-21						
2023-06-22						
2023-06-23						
2023-06-24						
2023-06-25						
2023-06-26						
2023-06-27						
2023-06-28						
2023-06-29						
2023-06-30						
Minimum	0.0					
Maximum	0.0					
Average	0					
Count	1					
Name of Responsible Official or Authorized Representative	I certify under the penalty of law that I have personally examined and am familiar with the information submitted herein and based on my inquiry of those individuals immediately responsible for obtaining the information, I believe the submitted information is true, accurate and complete. I am aware that there are significant penalties for submitting false information, including the possibility of fine and imprisonment.			Signature of Responsible Official or Authorized Representative		Submission Date/Time
Angela Tipton						Certification Version Date 2023-07-18 14:07

Ohio EPA - Daily Discharge Monitoring Report - Form 4500

SUBMISSION ID: 1255552
FACILITY: Waynesville Regional WWTP
LOCATION: 444 US Rte 42 N
 Waynesville, OH 45068
COUNTY: Warren
DISTRICT: SWDO

STATUS: Original
PERMIT NUMBER: 1PB00032*MD
STATION CODE: 300
MONITORING PERIOD : 2023-06-01 To: 2023-06-30
REPORTING LAB: County
ANALYST: Angie Tipton
NO DISCHARGE INDICATOR:

PARAMETER	Overflow Occurrence					
PARAMETER CODE	74062					
UNITS	No./Month					
FREQUENCY	1/Month					
SAMPLING TYPE	Total					
2023-06-01	0					
2023-06-02						
2023-06-03						
2023-06-04						
2023-06-05						
2023-06-06						
2023-06-07						
2023-06-08						
2023-06-09						
2023-06-10						
2023-06-11						
2023-06-12						
2023-06-13						
2023-06-14						
2023-06-15						
2023-06-16						
2023-06-17						
2023-06-18						
2023-06-19						
2023-06-20						
2023-06-21						
2023-06-22						
2023-06-23						
2023-06-24						
2023-06-25						
2023-06-26						
2023-06-27						
2023-06-28						
2023-06-29						
2023-06-30						
Minimum	0.0					
Maximum	0.0					
Average	0					
Count	1					
Name of Responsible Official or Authorized Representative	I certify under the penalty of law that I have personally examined and am familiar with the information submitted herein and based on my inquiry of those individuals immediately responsible for obtaining the information, I believe the submitted information is true, accurate and complete. I am aware that there are significant penalties for submitting false information, including the possibility of fine and imprisonment.			Signature of Responsible Official or Authorized Representative		Submission Date/Time
Angela Tipton						Certification Version Date 2023-07-18 14:07

Ohio EPA - Daily Discharge Monitoring Report - Form 4500

SUBMISSION ID: 1255552
FACILITY: Waynesville Regional WWTP
LOCATION: 444 US Rte 42 N
 Waynesville, OH 45068
COUNTY: Warren
DISTRICT: SWDO

STATUS: Original
PERMIT NUMBER: 1PB00032*MD
STATION CODE: 601
MONITORING PERIOD : 2023-06-01 To: 2023-06-30
REPORTING LAB: WWTP
ANALYST: Angie Tipton
NO DISCHARGE INDICATOR:

PARAMETER	pH	Total Suspended Solids	CBOD 5 day				
PARAMETER CODE	00400	00530	80082				
UNITS	S.U.	mg/l	mg/l				
FREQUENCY	1/Day	2/Week	2/Week				
SAMPLING TYPE	Grab	24hr Composite	24hr Composite				
2023-06-01	7.4	208	104				
2023-06-02	7.3						
2023-06-03	AN						
2023-06-04	AN						
2023-06-05	7.5						
2023-06-06	7.1	144	155				
2023-06-07	7.4						
2023-06-08	7.3	128	90				
2023-06-09	7.5						
2023-06-10	AN						
2023-06-11	AN						
2023-06-12	7.3						
2023-06-13	7.3	180	70				
2023-06-14	7.2						
2023-06-15	7.2	116	70				
2023-06-16	7.4						
2023-06-17	AN						
2023-06-18	AN						
2023-06-19	AN						
2023-06-20	7.2	148	115				
2023-06-21	7.3						
2023-06-22	7.3	464	55				
2023-06-23	7.4						
2023-06-24	AN						
2023-06-25	AN						
2023-06-26	7.4						
2023-06-27	7.3	128	115				
2023-06-28	7.1						
2023-06-29	7.3						
2023-06-30	7.3						
Minimum	7.1	116.0	55.0				
Maximum	7.5	464.0	155.0				
Average		189.5	96.75				
Count	21	8	8				

Name of Responsible Official or Authorized Representative	I certify under the penalty of law that I have personally examined and am familiar with the information submitted herein and based on my inquiry of those individuals immediately responsible for obtaining the information, I believe the submitted information is true, accurate and complete. I am aware that there are significant penalties for submitting false information, including the possibility of fine and imprisonment.	Signature of Responsible Official or Authorized Representative		Submission Date/Time
Angela Tipton				Certification Version Date 2023-07-18 14:07

Ohio EPA - Daily Discharge Monitoring Report - Form 4500

SUBMISSION ID: 1255552
FACILITY: Waynesville Regional WWTP
LOCATION: 444 US Rte 42 N
 Waynesville, OH 45068
COUNTY: Warren
DISTRICT: SWDO

STATUS: Original
PERMIT NUMBER: 1PB00032*MD
STATION CODE: 801
MONITORING PERIOD : 2023-06-01 To: 2023-06-30
REPORTING LAB: WWTP Masi
ANALYST: Angie Tipton
NO DISCHARGE INDICATOR:

PARAMETER	E. coli	Nitrogen, Ammonia (NH3)	Nitrogen Kjeldahl, Total	Nitrite Plus Nitrate, Total	Phosphorus, Total (P)		
PARAMETER CODE	31648	00610	00625	00630	00665		
UNITS	#/100 ml	mg/l	mg/l	mg/l	mg/l		
FREQUENCY	1 / 2 Weeks	1/Quarter	1/Quarter	1/Quarter	1/Quarter		
SAMPLING TYPE	Grab	Grab	Grab	Grab	Grab		
2023-06-01							
2023-06-02							
2023-06-03							
2023-06-04							
2023-06-05							
2023-06-06							
2023-06-07							
2023-06-08							
2023-06-09							
2023-06-10							
2023-06-11							
2023-06-12	455	.1	AA 2.0	2.0	.11		
2023-06-13							
2023-06-14							
2023-06-15							
2023-06-16							
2023-06-17							
2023-06-18							
2023-06-19							
2023-06-20							
2023-06-21							
2023-06-22							
2023-06-23							
2023-06-24							
2023-06-25							
2023-06-26							
2023-06-27	90						
2023-06-28							
2023-06-29							
2023-06-30							
Minimum	90.0	0.1	0.0	2.0	0.11		
Maximum	455.0	0.1	0.0	2.0	0.11		
Average	272.5	0.1	0	2	0.11		
Count	2	1	1	1	1		

Name of Responsible Official or Authorized Representative	I certify under the penalty of law that I have personally examined and am familiar with the information submitted herein and based on my inquiry of those individuals immediately responsible for obtaining the information, I believe the submitted information is true, accurate and complete. I am aware that there are significant penalties for submitting false information, including the possibility of fine and imprisonment.	Signature of Responsible Official or Authorized Representative		Submission Date/Time
Angela Tipton				Certification Version Date 2023-07-18 14:07

Ohio EPA - Daily Discharge Monitoring Report - Form 4500

SUBMISSION ID: 1255552
FACILITY: Waynesville Regional WWTP
LOCATION: 444 US Rte 42 N
 Waynesville, OH 45068
COUNTY: Warren
DISTRICT: SWDO

STATUS: Original
PERMIT NUMBER: 1PB00032*MD
STATION CODE: 901
MONITORING PERIOD : 2023-06-01 To: 2023-06-30
REPORTING LAB: WWTP Masi
ANALYST: Angie Tipton
NO DISCHARGE INDICATOR:

PARAMETER	E. coli	Water Temperature	pH	Nitrogen, Ammonia (NH3)	Nitrogen Kjeldahl, Total	Nitrite Plus Nitrate, Total	Phosphorus, Total (P)
PARAMETER CODE	31648	00010	00400	00610	00625	00630	00665
UNITS	#/100 ml	C	S.U.	mg/l	mg/l	mg/l	mg/l
FREQUENCY	1 / 2 Weeks	1/Month	1/Month	1/Quarter	1/Quarter	1/Quarter	1/Quarter
SAMPLING TYPE	Grab	Grab	Grab	Grab	Grab	Grab	Grab
2023-06-01							
2023-06-02							
2023-06-03							
2023-06-04							
2023-06-05							
2023-06-06							
2023-06-07							
2023-06-08							
2023-06-09							
2023-06-10							
2023-06-11							
2023-06-12	475	20	7.7	AA .1	AA 2.0	2.09	AA .05
2023-06-13							
2023-06-14							
2023-06-15							
2023-06-16							
2023-06-17							
2023-06-18							
2023-06-19							
2023-06-20							
2023-06-21							
2023-06-22							
2023-06-23							
2023-06-24							
2023-06-25							
2023-06-26							
2023-06-27	475						
2023-06-28							
2023-06-29							
2023-06-30							
Minimum	475.0	20.0	7.7	0.0	0.0	2.09	0.0
Maximum	475.0	20.0	7.7	0.0	0.0	2.09	0.0
Average	475	20		0	0	2.09	0
Count	2	1	1	1	1	1	1
Name of Responsible Official or Authorized Representative	I certify under the penalty of law that I have personally examined and am familiar with the information submitted herein and based on my inquiry of those individuals immediately responsible for obtaining the information, I believe the submitted information is true, accurate and complete. I am aware that there are significant penalties for submitting false information, including the possibility of fine and imprisonment.			Signature of Responsible Official or Authorized Representative		Submission Date/Time	
Angela Tipton						Certification Version Date 2023-07-18 14:07	

Ohio EPA - Daily Discharge Monitoring Report - Form 4500

SUBMISSION ID: 1255552
FACILITY: Waynesville Regional WWTP
LOCATION: 444 US Rte 42 N
 Waynesville, OH 45068
COUNTY: Warren
DISTRICT: SWDO

STATUS: Original
PERMIT NUMBER: 1PB00032*MD
STATION CODE: 901
MONITORING PERIOD : 2023-06-01 To: 2023-06-30
REPORTING LAB: WWTP Masi
ANALYST: Angie Tipton
NO DISCHARGE INDICATOR:

PARAMETER	Hardness, Total (CaCO3)					
PARAMETER CODE	00900					
UNITS	mg/l					
FREQUENCY	1/Quarter					
SAMPLING TYPE	Grab					
2023-06-01						
2023-06-02						
2023-06-03						
2023-06-04						
2023-06-05						
2023-06-06						
2023-06-07						
2023-06-08						
2023-06-09						
2023-06-10						
2023-06-11						
2023-06-12	336					
2023-06-13						
2023-06-14						
2023-06-15						
2023-06-16						
2023-06-17						
2023-06-18						
2023-06-19						
2023-06-20						
2023-06-21						
2023-06-22						
2023-06-23						
2023-06-24						
2023-06-25						
2023-06-26						
2023-06-27						
2023-06-28						
2023-06-29						
2023-06-30						
Minimum	336.0					
Maximum	336.0					
Average	336					
Count	1					
Name of Responsible Official or Authorized Representative	I certify under the penalty of law that I have personally examined and am familiar with the information submitted herein and based on my inquiry of those individuals immediately responsible for obtaining the information, I believe the submitted information is true, accurate and complete. I am aware that there are significant penalties for submitting false information, including the possibility of fine and imprisonment.			Signature of Responsible Official or Authorized Representative	Submission Date/Time	
Angela Tipton					Certification Version Date 2023-07-18 14:07	

Ohio EPA - Daily Discharge Monitoring Report - Form 4500

FACILITY:
LOCATION:

Waynesville Regional WWTP
444 US Rte 42 N
Waynesville, OH 45068

PERMIT NUMBER:
MONITORING PERIOD :

1PB00032*MD
2023-06-01 To: 2023-06-30

PARAMETER COMMENTS:

Station Code	Parameter Name	Parameter Code	Date	Unit	Comment
--------------	----------------	----------------	------	------	---------

Ohio EPA - Daily Discharge Monitoring Report - Form 4500

SUBMISSION ID: 1263490
FACILITY: Waynesville Regional WWTP
LOCATION: 444 US Rte 42 N
 Waynesville, OH 45068
COUNTY: Warren
DISTRICT: SWDO

STATUS: Original
PERMIT NUMBER: 1PB00032*MD
STATION CODE: 001
MONITORING PERIOD : 2023-07-01 To: 2023-07-31
REPORTING LAB: WWTP Masi
ANALYST: Angie Tipton
NO DISCHARGE INDICATOR:

PARAMETER	Water Temperature	Dissolved Oxygen	pH	Flow Rate	Chlorine, Total Residual	Total Suspended Solids	Nitrogen, Ammonia (NH3)
PARAMETER CODE	00010	00300	00400	50050	50060	00530	00610
UNITS	C	mg/l	S.U.	MGD	mg/l	mg/l	mg/l
FREQUENCY	1/Day	1/Day	1/Day	1/Day	1/Day	2/Week	2/Week
SAMPLING TYPE	Maximum Indicating Thermometer	Grab	Grab	Continuous	Grab	24hr Composite	24hr Composite
2023-07-01	AN	AN	AN	0.5	AN		
2023-07-02	AN	AN	AN	0.513	AN		
2023-07-03	20	6.9	6.9	0.603	0.02		
2023-07-04	AN	AN	AN	0.546	AN		
2023-07-05	20	6.7	7.1	0.801	0.03	10	AA .1
2023-07-06	20	7.3	7.0	0.556	AA 0	12	0.184
2023-07-07	18	8.1	7.2	0.491	AA 0		
2023-07-08	AN	AN	AN	0.687	AN		
2023-07-09	AN	AN	AN	0.521	AN		
2023-07-10	19	7.1	7.0	0.447	0.03		
2023-07-11	20	7.4	7.3	0.421	0.05		
2023-07-12	20	7.2	7.1	0.392	0.01	10	0.141
2023-07-13	20	6.9	7.0	0.409	0.05	9	0.122
2023-07-14	20	6.9	7.0	0.403	0.05		
2023-07-15	AN	AN	AN	0.688	AN		
2023-07-16	AN	AN	AN	0.518	AN		
2023-07-17	20	6.7	7.0	0.895	0.01		
2023-07-18	20	7.4	7.0	0.895	0.02		
2023-07-19	20	7.3	7.0	0.719	0.01	4	AA .1
2023-07-20	20	6.6	6.9	0.686	AA 0	4	0.124
2023-07-21	20	6.5	6.9	0.666	0.04		
2023-07-22	AN	AN	AN	0.543	AN		
2023-07-23	AN	AN	AN	0.519	AN		
2023-07-24	20	7.1	7.2	0.64	0.04		
2023-07-25	20	7.2	7.0	0.497	0.05		
2023-07-26	21	7.3	7.2	0.477	0.04	13	0.104
2023-07-27	21	7.4	7.3	0.516	0.04	11	0.114
2023-07-28	21	7.3	7.2	0.795	0.01		
2023-07-29	AN	AN	AN	0.685	AN		
2023-07-30	AN	AN	AN	0.56	AN		
2023-07-31	20	6.8	7.2	0.315	0.05		
Minimum	18.0	6.5	6.9	0.315	0.0	4.0	0.0
Maximum	21.0	8.1	7.3	0.895	0.05	13.0	0.184
Average	20	7.105		0.57755	0.0275	9.125	0.09862
Count	20	20	20	31	20	8	8
Name of Responsible Official or Authorized Representative	I certify under the penalty of law that I have personally examined and am familiar with the information submitted herein and based on my inquiry of those individuals immediately responsible for obtaining the information, I believe the submitted information is true, accurate and complete. I am aware that there are significant penalties for submitting false information, including the possibility of fine and imprisonment.				Signature of Responsible Official or Authorized Representative		Submission Date/Time
Angela Tipton							Certification Version Date 2023-08-16 13:08

Ohio EPA - Daily Discharge Monitoring Report - Form 4500

SUBMISSION ID: 1263490
FACILITY: Waynesville Regional WWTP
LOCATION: 444 US Rte 42 N
 Waynesville, OH 45068
COUNTY: Warren
DISTRICT: SWDO

STATUS: Original
PERMIT NUMBER: 1PB00032*MD
STATION CODE: 001
MONITORING PERIOD : 2023-07-01 To: 2023-07-31
REPORTING LAB: WWTP Masi
ANALYST: Angie Tipton
NO DISCHARGE INDICATOR:

PARAMETER	E. coli	CBOD 5 day	Phosphorus, Total (P)	Nitrogen Kjeldahl, Total	Nitrite Plus Nitrate, Total	Residue, Total Filterable	
PARAMETER CODE	31648	80082	00665	00625	00630	70300	
UNITS	#/100 ml	mg/l	mg/l	mg/l	mg/l	mg/l	
FREQUENCY	2/Week	2/Week	1 / 2 Weeks	1/Month	1/Month	1/Month	
SAMPLING TYPE	Grab	24hr Composite	24hr Composite	24hr Composite	24hr Composite	24hr Composite	
2023-07-01							
2023-07-02							
2023-07-03			0.37				
2023-07-04							
2023-07-05	62	4.9				676	
2023-07-06	AA 20	4					
2023-07-07							
2023-07-08							
2023-07-09							
2023-07-10							
2023-07-11							
2023-07-12	24	3.4					
2023-07-13	203	3.3	0.61	1.6	13.8		
2023-07-14							
2023-07-15							
2023-07-16							
2023-07-17							
2023-07-18			0.27				
2023-07-19	110	AA 3					
2023-07-20	103	3.3					
2023-07-21							
2023-07-22							
2023-07-23							
2023-07-24							
2023-07-25							
2023-07-26	1	6.5					
2023-07-27	AK	5					
2023-07-28							
2023-07-29							
2023-07-30							
2023-07-31							
Minimum	0.0	0.0	0.27	1.6	13.8	676.0	
Maximum	203.0	6.5	0.61	1.6	13.8	676.0	
Average	71.85714	3.8	0.41667	1.6	13.8	676	
Count	7	8	3	1	1	1	

Name of Responsible Official or Authorized Representative	I certify under the penalty of law that I have personally examined and am familiar with the information submitted herein and based on my inquiry of those individuals immediately responsible for obtaining the information, I believe the submitted information is true, accurate and complete. I am aware that there are significant penalties for submitting false information, including the possibility of fine and imprisonment.	Signature of Responsible Official or Authorized Representative	Submission Date/Time
Angela Tipton			Certification Version Date 2023-08-16 13:08

Ohio EPA - Daily Discharge Monitoring Report - Form 4500

SUBMISSION ID: 1263490
FACILITY: Waynesville Regional WWTP
LOCATION: 444 US Rte 42 N
 Waynesville, OH 45068
COUNTY: Warren
DISTRICT: SWDO

STATUS: Original
PERMIT NUMBER: 1PB00032*MD
STATION CODE: 300
MONITORING PERIOD : 2023-07-01 To: 2023-07-31
REPORTING LAB: County
ANALYST: Angie Tipton
NO DISCHARGE INDICATOR:

PARAMETER	Overflow Occurrence					
PARAMETER CODE	74062					
UNITS	No./Month					
FREQUENCY	1/Month					
SAMPLING TYPE	Total					
2023-07-01	0					
2023-07-02						
2023-07-03						
2023-07-04						
2023-07-05						
2023-07-06						
2023-07-07						
2023-07-08						
2023-07-09						
2023-07-10						
2023-07-11						
2023-07-12						
2023-07-13						
2023-07-14						
2023-07-15						
2023-07-16						
2023-07-17						
2023-07-18						
2023-07-19						
2023-07-20						
2023-07-21						
2023-07-22						
2023-07-23						
2023-07-24						
2023-07-25						
2023-07-26						
2023-07-27						
2023-07-28						
2023-07-29						
2023-07-30						
2023-07-31						
Minimum	0.0					
Maximum	0.0					
Average	0					
Count	1					

Name of Responsible Official or Authorized Representative	I certify under the penalty of law that I have personally examined and am familiar with the information submitted herein and based on my inquiry of those individuals immediately responsible for obtaining the information, I believe the submitted information is true, accurate and complete. I am aware that there are significant penalties for submitting false information, including the possibility of fine and imprisonment.	Signature of Responsible Official or Authorized Representative	Submission Date/Time
Angela Tipton			Certification Version Date 2023-08-16 13:08

Ohio EPA - Daily Discharge Monitoring Report - Form 4500

SUBMISSION ID: 1263490
FACILITY: Waynesville Regional WWTP
LOCATION: 444 US Rte 42 N
 Waynesville, OH 45068
COUNTY: Warren
DISTRICT: SWDO

STATUS: Original
PERMIT NUMBER: 1PB00032*MD
STATION CODE: 601
MONITORING PERIOD : 2023-07-01 To: 2023-07-31
REPORTING LAB: County
ANALYST: Angie Tipton
NO DISCHARGE INDICATOR:

PARAMETER	pH	Total Suspended Solids	CBOD 5 day				
PARAMETER CODE	00400	00530	80082				
UNITS	S.U.	mg/l	mg/l				
FREQUENCY	1/Day	2/Week	2/Week				
SAMPLING TYPE	Grab	24hr Composite	24hr Composite				
2023-07-01	AN						
2023-07-02	AN						
2023-07-03	7.2						
2023-07-04	AN						
2023-07-05	7.4	70	36				
2023-07-06	7.4	440	250				
2023-07-07	7.3						
2023-07-08	AN						
2023-07-09	AN						
2023-07-10	7.2						
2023-07-11	7.3						
2023-07-12	7.2	190	145				
2023-07-13	7.1	300	173				
2023-07-14	7.1						
2023-07-15	AN						
2023-07-16	AN						
2023-07-17	7.3						
2023-07-18	7.2						
2023-07-19	7.3	120	55				
2023-07-20	7.2	100	101				
2023-07-21	7.2						
2023-07-22	AN						
2023-07-23	AN						
2023-07-24	7.1						
2023-07-25	7.2						
2023-07-26	6.9	150	164				
2023-07-27	7.2	240	200				
2023-07-28	7.1						
2023-07-29	AN						
2023-07-30	AN						
2023-07-31	7.2						
Minimum	6.9	70.0	36.0				
Maximum	7.4	440.0	250.0				
Average		201.25	140.5				
Count	20	8	8				

Name of Responsible Official or Authorized Representative	I certify under the penalty of law that I have personally examined and am familiar with the information submitted herein and based on my inquiry of those individuals immediately responsible for obtaining the information, I believe the submitted information is true, accurate and complete. I am aware that there are significant penalties for submitting false information, including the possibility of fine and imprisonment.	Signature of Responsible Official or Authorized Representative		Submission Date/Time
Angela Tipton				Certification Version Date 2023-08-16 13:08

Ohio EPA - Daily Discharge Monitoring Report - Form 4500

SUBMISSION ID: 1263490
FACILITY: Waynesville Regional WWTP
LOCATION: 444 US Rte 42 N
 Waynesville, OH 45068
COUNTY: Warren
DISTRICT: SWDO

STATUS: Original
PERMIT NUMBER: 1PB00032*MD
STATION CODE: 801
MONITORING PERIOD : 2023-07-01 To: 2023-07-31
REPORTING LAB: County
ANALYST: Angie Tipton
NO DISCHARGE INDICATOR:

PARAMETER	E. coli					
PARAMETER CODE	31648					
UNITS	#/100 ml					
FREQUENCY	1 / 2 Weeks					
SAMPLING TYPE	Grab					
2023-07-01						
2023-07-02						
2023-07-03						
2023-07-04						
2023-07-05						
2023-07-06						
2023-07-07						
2023-07-08						
2023-07-09						
2023-07-10						
2023-07-11						
2023-07-12	64					
2023-07-13						
2023-07-14						
2023-07-15						
2023-07-16						
2023-07-17						
2023-07-18						
2023-07-19						
2023-07-20						
2023-07-21						
2023-07-22						
2023-07-23						
2023-07-24						
2023-07-25						
2023-07-26						
2023-07-27	163					
2023-07-28						
2023-07-29						
2023-07-30						
2023-07-31						
Minimum	64.0					
Maximum	163.0					
Average	113.5					
Count	2					

Name of Responsible Official or Authorized Representative	I certify under the penalty of law that I have personally examined and am familiar with the information submitted herein and based on my inquiry of those individuals immediately responsible for obtaining the information, I believe the submitted information is true, accurate and complete. I am aware that there are significant penalties for submitting false information, including the possibility of fine and imprisonment.	Signature of Responsible Official or Authorized Representative	Submission Date/Time
Angela Tipton			Certification Version Date 2023-08-16 13:08

Ohio EPA - Daily Discharge Monitoring Report - Form 4500

SUBMISSION ID: 1263490
FACILITY: Waynesville Regional WWTP
LOCATION: 444 US Rte 42 N
 Waynesville, OH 45068
COUNTY: Warren
DISTRICT: SWDO

STATUS: Original
PERMIT NUMBER: 1PB00032*MD
STATION CODE: 901
MONITORING PERIOD : 2023-07-01 To: 2023-07-31
REPORTING LAB: County
ANALYST: Angie Tipton
NO DISCHARGE INDICATOR:

PARAMETER	E. coli	Water Temperature	pH				
PARAMETER CODE	31648	00010	00400				
UNITS	#/100 ml	C	S.U.				
FREQUENCY	1 / 2 Weeks	1/Month	1/Month				
SAMPLING TYPE	Grab	Grab	Grab				
2023-07-01							
2023-07-02							
2023-07-03							
2023-07-04							
2023-07-05							
2023-07-06							
2023-07-07							
2023-07-08							
2023-07-09							
2023-07-10							
2023-07-11	164						
2023-07-12		23	7.7				
2023-07-13							
2023-07-14							
2023-07-15							
2023-07-16							
2023-07-17							
2023-07-18							
2023-07-19							
2023-07-20							
2023-07-21							
2023-07-22							
2023-07-23							
2023-07-24							
2023-07-25							
2023-07-26							
2023-07-27	91						
2023-07-28							
2023-07-29							
2023-07-30							
2023-07-31							
Minimum	91.0	23.0	7.7				
Maximum	164.0	23.0	7.7				
Average	127.5	23					
Count	2	1	1				

Name of Responsible Official or Authorized Representative	I certify under the penalty of law that I have personally examined and am familiar with the information submitted herein and based on my inquiry of those individuals immediately responsible for obtaining the information, I believe the submitted information is true, accurate and complete. I am aware that there are significant penalties for submitting false information, including the possibility of fine and imprisonment.	Signature of Responsible Official or Authorized Representative		Submission Date/Time
Angela Tipton				Certification Version Date 2023-08-16 13:08

Ohio EPA - Daily Discharge Monitoring Report - Form 4500

FACILITY:
LOCATION:

Waynesville Regional WWTP
444 US Rte 42 N
Waynesville, OH 45068

PERMIT NUMBER:
MONITORING PERIOD :

1PB00032*MD
2023-07-01 To: 2023-07-31

PARAMETER COMMENTS:

Station Code	Parameter Name	Parameter Code	Date	Unit	Comment
300	Overflow Occurrence	74062	2023-07-01	No./Month	we had no overflows in July

Ohio EPA - Daily Discharge Monitoring Report - Form 4500

SUBMISSION ID: 1270315
FACILITY: Waynesville Regional WWTP
LOCATION: 444 US Rte 42 N
 Waynesville, OH 45068
COUNTY: Warren
DISTRICT: SWDO

STATUS: Original
PERMIT NUMBER: 1PB00032*MD
STATION CODE: 001
MONITORING PERIOD : 2023-08-01 To: 2023-08-31
REPORTING LAB: WWTP Masi
ANALYST: Angie Tipton
NO DISCHARGE INDICATOR:

PARAMETER	Water Temperature	Dissolved Oxygen	pH	Flow Rate	Chlorine, Total Residual	Total Suspended Solids	Nitrogen, Ammonia (NH3)
PARAMETER CODE	00010	00300	00400	50050	50060	00530	00610
UNITS	C	mg/l	S.U.	MGD	mg/l	mg/l	mg/l
FREQUENCY	1/Day	1/Day	1/Day	1/Day	1/Day	2/Week	2/Week
SAMPLING TYPE	Maximum Indicating Thermometer	Grab	Grab	Continuous	Grab	24hr Composite	24hr Composite
2023-08-01	20	7.5	7.2	0.434	0.04		
2023-08-02	20	7.3	7.0	0.387	0.03	8	AA .1
2023-08-03	20	7.9	6.9	0.356	0.01	2	AA .1
2023-08-04	20	7.3	7.0	0.38	0.02		
2023-08-05	AN	AN	AN	0.409	AN		
2023-08-06	AN	AN	AN	0.403	AN		
2023-08-07	21	6.6	7.1	0.478	0.04		
2023-08-08	21	6.8	7.1	0.412	0.05		
2023-08-09	21	7.7	7.2	0.461	0.05	1	AA .1
2023-08-10	21	7.0	7.2	0.47	0.04	2	AA .2
2023-08-11	21	7.3	7.0	0.399	0.03		
2023-08-12	AN	AN	AN	0.414	AN		
2023-08-13	AN	AN	AN	0.427	AN		
2023-08-14	21	7.3	7.0	0.665	0.02		
2023-08-15	21	6.8	6.9	0.58	0.04		
2023-08-16	20	6.8	7.0	0.525	0.02	4	AA .1
2023-08-17	21	6.8	7.0	0.499	0.04	2	0.143
2023-08-18	20	6.8	7.1	0.44	0.05		
2023-08-19	AN	AN	AN	0.422	AN		
2023-08-20	AN	AN	AN	0.387	AN		
2023-08-21	21	7.2	7.2	0.434	0.05		
2023-08-22	22	7.2	6.9	0.337	0.02		
2023-08-23	22	7.4	7.2	0.437	0.05	3	AA .1
2023-08-24	22	7.0	6.8	0.967	0.05	4	0.168
2023-08-25	22	6.5	6.8	0.57	0.05		
2023-08-26	AN	AN	AN	0.511	AN		
2023-08-27	AN	AN	AN	0.405	AN		
2023-08-28	21	7.4	7.1	0.417	0.04		
2023-08-29	21	7.6	7.0	0.253	0.05		
2023-08-30	21	7.1	7.0	0.362	0.05		
2023-08-31	21	7.7	7.0	0.303	0.05		
Minimum	20.0	6.5	6.8	0.253	0.01	1.0	0.0
Maximum	22.0	7.9	7.2	0.967	0.05	8.0	0.168
Average	20.91304	7.17391		0.44981	0.0387	3.25	0.03888
Count	23	23	23	31	23	8	8

Name of Responsible Official or Authorized Representative	I certify under the penalty of law that I have personally examined and am familiar with the information submitted herein and based on my inquiry of those individuals immediately responsible for obtaining the information, I believe the submitted information is true, accurate and complete. I am aware that there are significant penalties for submitting false information, including the possibility of fine and imprisonment.	Signature of Responsible Official or Authorized Representative	Submission Date/Time
Angela Tipton			Certification Version Date 2023-09-13 13:09

Ohio EPA - Daily Discharge Monitoring Report - Form 4500

SUBMISSION ID: 1270315
FACILITY: Waynesville Regional WWTP
LOCATION: 444 US Rte 42 N
 Waynesville, OH 45068
COUNTY: Warren
DISTRICT: SWDO

STATUS: Original
PERMIT NUMBER: 1PB00032*MD
STATION CODE: 001
MONITORING PERIOD : 2023-08-01 To: 2023-08-31
REPORTING LAB: WWTP Masi
ANALYST: Angie Tipton
NO DISCHARGE INDICATOR:

PARAMETER	E. coli	CBOD 5 day	Phosphorus, Total (P)	Nitrogen Kjeldahl, Total	Nitrite Plus Nitrate, Total	Residue, Total Filterable	Oil and Grease, Hexane Extr Method
PARAMETER CODE	31648	80082	00665	00625	00630	70300	00552
UNITS	#/100 ml	mg/l	mg/l	mg/l	mg/l	mg/l	mg/l
FREQUENCY	2/Week	2/Week	1 / 2 Weeks	1/Month	1/Month	1/Month	1/Quarter
SAMPLING TYPE	Grab	24hr Composite	24hr Composite	24hr Composite	24hr Composite	24hr Composite	Grab
2023-08-01							
2023-08-02	26	5.3					
2023-08-03	34	AA 3					
2023-08-04							
2023-08-05							
2023-08-06							
2023-08-07							
2023-08-08			0.46	0.7	28.7	768	AA 5
2023-08-09	65	3.4					
2023-08-10	90	3.9					
2023-08-11							
2023-08-12							
2023-08-13							
2023-08-14							
2023-08-15							
2023-08-16	7	4.6					
2023-08-17	21	3.5					
2023-08-18							
2023-08-19							
2023-08-20							
2023-08-21							
2023-08-22			0.69				
2023-08-23	AK	4					
2023-08-24	3	10.6					
2023-08-25							
2023-08-26							
2023-08-27							
2023-08-28							
2023-08-29							
2023-08-30							
2023-08-31							
Minimum	3.0	0.0	0.46	0.7	28.7	768.0	0.0
Maximum	90.0	10.6	0.69	0.7	28.7	768.0	0.0
Average	35.14286	4.4125	0.575	0.7	28.7	768	0
Count	7	8	2	1	1	1	1

Name of Responsible Official or Authorized Representative	I certify under the penalty of law that I have personally examined and am familiar with the information submitted herein and based on my inquiry of those individuals immediately responsible for obtaining the information, I believe the submitted information is true, accurate and complete. I am aware that there are significant penalties for submitting false information, including the possibility of fine and imprisonment.	Signature of Responsible Official or Authorized Representative		Submission Date/Time
Angela Tipton				Certification Version Date 2023-09-13 13:09

Ohio EPA - Daily Discharge Monitoring Report - Form 4500

SUBMISSION ID: 1270315
FACILITY: Waynesville Regional WWTP
LOCATION: 444 US Rte 42 N
 Waynesville, OH 45068
COUNTY: Warren
DISTRICT: SWDO

STATUS: Original
PERMIT NUMBER: 1PB00032*MD
STATION CODE: 001
MONITORING PERIOD : 2023-08-01 To: 2023-08-31
REPORTING LAB: WWTP Masi
ANALYST: Angie Tipton
NO DISCHARGE INDICATOR:

PARAMETER	Nickel, Total Recoverable	Zinc, Total Recoverable	Cadmium, Total Recoverable	Lead, Total Recoverable	Chromium, Total Recoverable	Copper, Total Recoverable	Chromium, Dissolved Hexavalent
PARAMETER CODE	01074	01094	01113	01114	01118	01119	01220
UNITS	ug/l	ug/l	ug/l	ug/l	ug/l	ug/l	ug/l
FREQUENCY	1/Quarter	1/Quarter	1/Quarter	1/Quarter	1/Quarter	1/Quarter	1/Quarter
SAMPLING TYPE	24hr Composite	24hr Composite	24hr Composite	24hr Composite	24hr Composite	24hr Composite	Grab
2023-08-01							
2023-08-02							
2023-08-03							
2023-08-04							
2023-08-05							
2023-08-06							
2023-08-07							
2023-08-08	3	21	AA 5	AA 20	0.9	9	AA 10
2023-08-09							
2023-08-10							
2023-08-11							
2023-08-12							
2023-08-13							
2023-08-14							
2023-08-15							
2023-08-16							
2023-08-17							
2023-08-18							
2023-08-19							
2023-08-20							
2023-08-21							
2023-08-22							
2023-08-23							
2023-08-24							
2023-08-25							
2023-08-26							
2023-08-27							
2023-08-28							
2023-08-29							
2023-08-30							
2023-08-31							
Minimum	3.0	21.0	0.0	0.0	0.9	9.0	0.0
Maximum	3.0	21.0	0.0	0.0	0.9	9.0	0.0
Average	3	21	0	0	0.9	9	0
Count	1	1	1	1	1	1	1
Name of Responsible Official or Authorized Representative	I certify under the penalty of law that I have personally examined and am familiar with the information submitted herein and based on my inquiry of those individuals immediately responsible for obtaining the information, I believe the submitted information is true, accurate and complete. I am aware that there are significant penalties for submitting false information, including the possibility of fine and imprisonment.			Signature of Responsible Official or Authorized Representative		Submission Date/Time	
Angela Tipton						Certification Version Date 2023-09-13 13:09	

Ohio EPA - Daily Discharge Monitoring Report - Form 4500

SUBMISSION ID: 1270315
FACILITY: Waynesville Regional WWTP
LOCATION: 444 US Rte 42 N
 Waynesville, OH 45068
COUNTY: Warren
DISTRICT: SWDO

STATUS: Original
PERMIT NUMBER: 1PB00032*MD
STATION CODE: 001
MONITORING PERIOD : 2023-08-01 To: 2023-08-31
REPORTING LAB: WWTP Masi
ANALYST: Angie Tipton
NO DISCHARGE INDICATOR:

PARAMETER	Mercury, Total (Low Level)					
PARAMETER CODE	5092					
UNITS	ng/l					
FREQUENCY	1/Quarter					
SAMPLING TYPE	Grab					
2023-08-01						
2023-08-02						
2023-08-03						
2023-08-04						
2023-08-05						
2023-08-06						
2023-08-07						
2023-08-08	0.3					
2023-08-09						
2023-08-10						
2023-08-11						
2023-08-12						
2023-08-13						
2023-08-14						
2023-08-15						
2023-08-16						
2023-08-17						
2023-08-18						
2023-08-19						
2023-08-20						
2023-08-21						
2023-08-22						
2023-08-23						
2023-08-24						
2023-08-25						
2023-08-26						
2023-08-27						
2023-08-28						
2023-08-29						
2023-08-30						
2023-08-31						
Minimum	0.3					
Maximum	0.3					
Average	0.3					
Count	1					

Name of Responsible Official or Authorized Representative	I certify under the penalty of law that I have personally examined and am familiar with the information submitted herein and based on my inquiry of those individuals immediately responsible for obtaining the information, I believe the submitted information is true, accurate and complete. I am aware that there are significant penalties for submitting false information, including the possibility of fine and imprisonment.	Signature of Responsible Official or Authorized Representative	Submission Date/Time
Angela Tipton			Certification Version Date 2023-09-13 13:09

Ohio EPA - Daily Discharge Monitoring Report - Form 4500

SUBMISSION ID: 1270315
FACILITY: Waynesville Regional WWTP
LOCATION: 444 US Rte 42 N
 Waynesville, OH 45068
COUNTY: Warren
DISTRICT: SWDO

STATUS: Original
PERMIT NUMBER: 1PB00032*MD
STATION CODE: 300
MONITORING PERIOD : 2023-08-01 To: 2023-08-31
REPORTING LAB: County
ANALYST: Angie Tipton
NO DISCHARGE INDICATOR:

PARAMETER	Overflow Occurrence					
PARAMETER CODE	74062					
UNITS	No./Month					
FREQUENCY	1/Month					
SAMPLING TYPE	Total					
2023-08-01	0					
2023-08-02						
2023-08-03						
2023-08-04						
2023-08-05						
2023-08-06						
2023-08-07						
2023-08-08						
2023-08-09						
2023-08-10						
2023-08-11						
2023-08-12						
2023-08-13						
2023-08-14						
2023-08-15						
2023-08-16						
2023-08-17						
2023-08-18						
2023-08-19						
2023-08-20						
2023-08-21						
2023-08-22						
2023-08-23						
2023-08-24						
2023-08-25						
2023-08-26						
2023-08-27						
2023-08-28						
2023-08-29						
2023-08-30						
2023-08-31						
Minimum	0.0					
Maximum	0.0					
Average	0					
Count	1					

Name of Responsible Official or Authorized Representative	I certify under the penalty of law that I have personally examined and am familiar with the information submitted herein and based on my inquiry of those individuals immediately responsible for obtaining the information, I believe the submitted information is true, accurate and complete. I am aware that there are significant penalties for submitting false information, including the possibility of fine and imprisonment.	Signature of Responsible Official or Authorized Representative	Submission Date/Time
Angela Tipton			Certification Version Date 2023-09-13 13:09

Ohio EPA - Daily Discharge Monitoring Report - Form 4500

SUBMISSION ID: 1270315
FACILITY: Waynesville Regional WWTP
LOCATION: 444 US Rte 42 N
 Waynesville, OH 45068
COUNTY: Warren
DISTRICT: SWDO

STATUS: Original
PERMIT NUMBER: 1PB00032*MD
STATION CODE: 601
MONITORING PERIOD : 2023-08-01 To: 2023-08-31
REPORTING LAB: County
ANALYST: Angie Tipton
NO DISCHARGE INDICATOR:

PARAMETER	pH	Total Suspended Solids	CBOD 5 day				
PARAMETER CODE	00400	00530	80082				
UNITS	S.U.	mg/l	mg/l				
FREQUENCY	1/Day	2/Week	2/Week				
SAMPLING TYPE	Grab	24hr Composite	24hr Composite				
2023-08-01	7.4						
2023-08-02	7.2	180	294				
2023-08-03	7.3	660	208				
2023-08-04	7.2						
2023-08-05	AN						
2023-08-06	AN						
2023-08-07	7.2						
2023-08-08	7.2						
2023-08-09	7.2	320	201				
2023-08-10	7.3	330	214				
2023-08-11	7.2						
2023-08-12	AN						
2023-08-13	AN						
2023-08-14	7.2						
2023-08-15	7.3						
2023-08-16	7.3	140	164				
2023-08-17	7.3	340	179				
2023-08-18	7.3						
2023-08-19	AN						
2023-08-20	AN						
2023-08-21	7.0						
2023-08-22	6.9						
2023-08-23	7.4	460	253				
2023-08-24	6.9	260	68				
2023-08-25	7.1						
2023-08-26	AN						
2023-08-27	AN						
2023-08-28	7.2						
2023-08-29	7.2						
2023-08-30	7.2						
2023-08-31	7.3						
Minimum	6.9	140.0	68.0				
Maximum	7.4	660.0	294.0				
Average		336.25	197.625				
Count	23	8	8				

Name of Responsible Official or Authorized Representative	I certify under the penalty of law that I have personally examined and am familiar with the information submitted herein and based on my inquiry of those individuals immediately responsible for obtaining the information, I believe the submitted information is true, accurate and complete. I am aware that there are significant penalties for submitting false information, including the possibility of fine and imprisonment.	Signature of Responsible Official or Authorized Representative		Submission Date/Time
Angela Tipton				Certification Version Date 2023-09-13 13:09

Ohio EPA - Daily Discharge Monitoring Report - Form 4500

SUBMISSION ID: 1270315
FACILITY: Waynesville Regional WWTP
LOCATION: 444 US Rte 42 N
 Waynesville, OH 45068
COUNTY: Warren
DISTRICT: SWDO

STATUS:
PERMIT NUMBER:
STATION CODE:
MONITORING PERIOD :
REPORTING LAB:
ANALYST:
NO DISCHARGE INDICATOR:

Original
 1PB00032*MD
 801
2023-08-01 To: 2023-08-31
 WWTP Masi
 Angie Tipton

PARAMETER	E. coli	Nitrogen, Ammonia (NH3)	Nitrogen Kjeldahl, Total	Nitrite Plus Nitrate, Total	Phosphorus, Total (P)		
PARAMETER CODE	31648	00610	00625	00630	00665		
UNITS	#/100 ml	mg/l	mg/l	mg/l	mg/l		
FREQUENCY	1 / 2 Weeks	1/Quarter	1/Quarter	1/Quarter	1/Quarter		
SAMPLING TYPE	Grab	Grab	Grab	Grab	Grab		
2023-08-01							
2023-08-02							
2023-08-03							
2023-08-04							
2023-08-05							
2023-08-06							
2023-08-07							
2023-08-08							
2023-08-09	136						
2023-08-10							
2023-08-11							
2023-08-12							
2023-08-13							
2023-08-14		.05	AA 2.0	1.47	.12		
2023-08-15							
2023-08-16	25						
2023-08-17							
2023-08-18							
2023-08-19							
2023-08-20							
2023-08-21							
2023-08-22							
2023-08-23							
2023-08-24							
2023-08-25							
2023-08-26							
2023-08-27							
2023-08-28							
2023-08-29							
2023-08-30							
2023-08-31							
Minimum	25.0	0.05	0.0	1.47	0.12		
Maximum	136.0	0.05	0.0	1.47	0.12		
Average	80.5	0.05	0	1.47	0.12		
Count	2	1	1	1	1		
Name of Responsible Official or Authorized Representative	I certify under the penalty of law that I have personally examined and am familiar with the information submitted herein and based on my inquiry of those individuals immediately responsible for obtaining the information, I believe the submitted information is true, accurate and complete. I am aware that there are significant penalties for submitting false information, including the possibility of fine and imprisonment.			Signature of Responsible Official or Authorized Representative	Submission Date/Time		
Angela Tipton					Certification Version Date 2023-09-13 13:09		

Ohio EPA - Daily Discharge Monitoring Report - Form 4500

SUBMISSION ID: 1270315
FACILITY: Waynesville Regional WWTP
LOCATION: 444 US Rte 42 N
 Waynesville, OH 45068
COUNTY: Warren
DISTRICT: SWDO

STATUS: Original
PERMIT NUMBER: 1PB00032*MD
STATION CODE: 901
MONITORING PERIOD : 2023-08-01 To: 2023-08-31
REPORTING LAB: WWTP Masi
ANALYST: Angie Tipton
NO DISCHARGE INDICATOR:

PARAMETER	E. coli	Water Temperature	pH	Nitrogen, Ammonia (NH3)	Nitrogen Kjeldahl, Total	Nitrite Plus Nitrate, Total	Phosphorus, Total (P)
PARAMETER CODE	31648	00010	00400	00610	00625	00630	00665
UNITS	#/100 ml	C	S.U.	mg/l	mg/l	mg/l	mg/l
FREQUENCY	1 / 2 Weeks	1/Month	1/Month	1/Quarter	1/Quarter	1/Quarter	1/Quarter
SAMPLING TYPE	Grab	Grab	Grab	Grab	Grab	Grab	Grab
2023-08-01							
2023-08-02							
2023-08-03							
2023-08-04							
2023-08-05							
2023-08-06							
2023-08-07							
2023-08-08							
2023-08-09	73						
2023-08-10							
2023-08-11							
2023-08-12							
2023-08-13							
2023-08-14		23	7.6	.07	AA 2.0	1.96	.12
2023-08-15							
2023-08-16	24						
2023-08-17							
2023-08-18							
2023-08-19							
2023-08-20							
2023-08-21							
2023-08-22							
2023-08-23							
2023-08-24							
2023-08-25							
2023-08-26							
2023-08-27							
2023-08-28							
2023-08-29							
2023-08-30							
2023-08-31							
Minimum	24.0	23.0	7.6	0.07	0.0	1.96	0.12
Maximum	73.0	23.0	7.6	0.07	0.0	1.96	0.12
Average	48.5	23		0.07	0	1.96	0.12
Count	2	1	1	1	1	1	1
Name of Responsible Official or Authorized Representative	I certify under the penalty of law that I have personally examined and am familiar with the information submitted herein and based on my inquiry of those individuals immediately responsible for obtaining the information, I believe the submitted information is true, accurate and complete. I am aware that there are significant penalties for submitting false information, including the possibility of fine and imprisonment.			Signature of Responsible Official or Authorized Representative		Submission Date/Time	
Angela Tipton						Certification Version Date 2023-09-13 13:09	

Ohio EPA - Daily Discharge Monitoring Report - Form 4500

SUBMISSION ID: 1270315
FACILITY: Waynesville Regional WWTP
LOCATION: 444 US Rte 42 N
 Waynesville, OH 45068
COUNTY: Warren
DISTRICT: SWDO

STATUS: Original
PERMIT NUMBER: 1PB00032*MD
STATION CODE: 901
MONITORING PERIOD : **2023-08-01 To: 2023-08-31**
REPORTING LAB: WWTP Masi
ANALYST: Angie Tipton
NO DISCHARGE INDICATOR:

PARAMETER	Hardness, Total (CaCO3)					
PARAMETER CODE	00900					
UNITS	mg/l					
FREQUENCY	1/Quarter					
SAMPLING TYPE	Grab					
2023-08-01						
2023-08-02						
2023-08-03						
2023-08-04						
2023-08-05						
2023-08-06						
2023-08-07						
2023-08-08						
2023-08-09						
2023-08-10						
2023-08-11						
2023-08-12						
2023-08-13						
2023-08-14	304					
2023-08-15						
2023-08-16						
2023-08-17						
2023-08-18						
2023-08-19						
2023-08-20						
2023-08-21						
2023-08-22						
2023-08-23						
2023-08-24						
2023-08-25						
2023-08-26						
2023-08-27						
2023-08-28						
2023-08-29						
2023-08-30						
2023-08-31						
Minimum	304.0					
Maximum	304.0					
Average	304					
Count	1					

Name of Responsible Official or Authorized Representative	I certify under the penalty of law that I have personally examined and am familiar with the information submitted herein and based on my inquiry of those individuals immediately responsible for obtaining the information, I believe the submitted information is true, accurate and complete. I am aware that there are significant penalties for submitting false information, including the possibility of fine and imprisonment.	Signature of Responsible Official or Authorized Representative	Submission Date/Time
Angela Tipton			Certification Version Date 2023-09-13 13:09

Ohio EPA - Daily Discharge Monitoring Report - Form 4500

FACILITY:
LOCATION:

Waynesville Regional WWTP
444 US Rte 42 N
Waynesville, OH 45068

PERMIT NUMBER:
MONITORING PERIOD :

1PB00032*MD
2023-08-01 To: 2023-08-31

PARAMETER COMMENTS:

Station Code	Parameter Name	Parameter Code	Date	Unit	Comment
300	Overflow Occurrence	74062	2023-08-01	No./Month	No overflows in August

Ohio EPA - Daily Discharge Monitoring Report - Form 4500

SUBMISSION ID: 1239809
FACILITY: Waynesville Regional WWTP
LOCATION: 444 US Rte 42 N
 Waynesville, OH 45068
COUNTY: Warren
DISTRICT: SWDO

STATUS: Original
PERMIT NUMBER: 1PB00032*MD
STATION CODE: 001
MONITORING PERIOD : 2023-04-01 To: 2023-04-30
REPORTING LAB: WWTP Masi
ANALYST: Angie Tipton
NO DISCHARGE INDICATOR:

PARAMETER	Water Temperature	Dissolved Oxygen	pH	Flow Rate	Total Suspended Solids	Nitrogen, Ammonia (NH3)	CBOD 5 day
PARAMETER CODE	00010	00300	00400	50050	00530	00610	80082
UNITS	C	mg/l	S.U.	MGD	mg/l	mg/l	mg/l
FREQUENCY	1/Day	1/Day	1/Day	1/Day	2/Week	2/Week	2/Week
SAMPLING TYPE	Maximum Indicating Thermometer	Grab	Grab	Continuous	24hr Composite	24hr Composite	24hr Composite
2023-04-01	AN	AN	AN	1.263			
2023-04-02	AN	AN	AN	0.966			
2023-04-03	12	9.1	7.1	0.918			
2023-04-04	14	8.9	7.2	0.944	5	AA .1	3
2023-04-05	14	9.3	7.2	2.27			
2023-04-06	13	8.7	7.1	1.544	7	AA .1	3.3
2023-04-07	11	9.5	7.1	1.158			
2023-04-08	AN	AN	AN	0.978			
2023-04-09	AN	AN	AN	0.859			
2023-04-10	13	9.3	7.1	0.635			
2023-04-11	12	8.6	7.1	0.586	6	AA .1	4
2023-04-12	13	9.3	7.3	0.671			
2023-04-13	13	9.4	7.3	0.597	11	AA .1	4.2
2023-04-14	14	9.1	7.2	0.645			
2023-04-15	AN	AN	AN	0.578			
2023-04-16	AN	AN	AN	0.66			
2023-04-17	12	8.9	7.2	0.545			
2023-04-18	12	9.3	7.2	0.56	5	AA .1	3.9
2023-04-19	13	8.9	7.2	0.455			
2023-04-20	14	9.1	7.2	0.468	6	AA .1	3.7
2023-04-21	15	8.9	7.2	0.674			
2023-04-22	AN	AN	AN	0.695			
2023-04-23	AN	AN	AN	0.603			
2023-04-24	13	8.5	7.3	0.546			
2023-04-25	13	8.8	7.3	0.514	4	1.35	3
2023-04-26	13	9.1	7.3	0.422			
2023-04-27	14	9.4	7.2	0.575	4	AA .1	AA 3.0
2023-04-28	11	8.2	6.9	0.82			
2023-04-29	AN	AN	AN	0.696			
2023-04-30	AN	AN	AN	0.723			
Minimum	11.0	8.2	6.9	0.422	4.0	0.0	0.0
Maximum	15.0	9.5	7.3	2.27	11.0	1.35	4.2
Average	12.95	9.015		0.7856	6	0.16875	3.1375
Count	20	20	20	30	8	8	8

Name of Responsible Official or Authorized Representative	I certify under the penalty of law that I have personally examined and am familiar with the information submitted herein and based on my inquiry of those individuals immediately responsible for obtaining the information, I believe the submitted information is true, accurate and complete. I am aware that there are significant penalties for submitting false information, including the possibility of fine and imprisonment.	Signature of Responsible Official or Authorized Representative	Submission Date/Time
Angela Tipton			Certification Version Date 2023-05-16 14:05

Ohio EPA - Daily Discharge Monitoring Report - Form 4500

SUBMISSION ID: 1239809
FACILITY: Waynesville Regional WWTP
LOCATION: 444 US Rte 42 N
 Waynesville, OH 45068
COUNTY: Warren
DISTRICT: SWDO

STATUS: Original
PERMIT NUMBER: 1PB00032*MD
STATION CODE: 001
MONITORING PERIOD : 2023-04-01 To: 2023-04-30
REPORTING LAB: WWTP Masi
ANALYST: Angie Tipton
NO DISCHARGE INDICATOR:

PARAMETER	Phosphorus, Total (P)	Nitrogen Kjeldahl, Total	Nitrite Plus Nitrate, Total	Residue, Total Filterable			
PARAMETER CODE	00665	00625	00630	70300			
UNITS	mg/l	mg/l	mg/l	mg/l			
FREQUENCY	1 / 2 Weeks	1/Month	1/Month	1/Month			
SAMPLING TYPE	24hr Composite	24hr Composite	24hr Composite	24hr Composite			
2023-04-01							
2023-04-02							
2023-04-03							
2023-04-04							
2023-04-05							
2023-04-06							
2023-04-07							
2023-04-08							
2023-04-09							
2023-04-10	0.86	AA 2.0	12.9				
2023-04-11							
2023-04-12							
2023-04-13							
2023-04-14							
2023-04-15							
2023-04-16							
2023-04-17							
2023-04-18				744			
2023-04-19							
2023-04-20							
2023-04-21							
2023-04-22							
2023-04-23							
2023-04-24							
2023-04-25	1.37						
2023-04-26							
2023-04-27							
2023-04-28							
2023-04-29							
2023-04-30							
Minimum	0.86	0.0	12.9	744.0			
Maximum	1.37	0.0	12.9	744.0			
Average	1.115	0	12.9	744			
Count	2	1	1	1			

Name of Responsible Official or Authorized Representative	I certify under the penalty of law that I have personally examined and am familiar with the information submitted herein and based on my inquiry of those individuals immediately responsible for obtaining the information, I believe the submitted information is true, accurate and complete. I am aware that there are significant penalties for submitting false information, including the possibility of fine and imprisonment.	Signature of Responsible Official or Authorized Representative	Submission Date/Time
Angela Tipton			Certification Version Date 2023-05-16 14:05

Ohio EPA - Daily Discharge Monitoring Report - Form 4500

SUBMISSION ID: 1239809
FACILITY: Waynesville Regional WWTP
LOCATION: 444 US Rte 42 N
 Waynesville, OH 45068
COUNTY: Warren
DISTRICT: SWDO

STATUS: Original
PERMIT NUMBER: 1PB00032*MD
STATION CODE: 300
MONITORING PERIOD : 2023-04-01 To: 2023-04-30
REPORTING LAB: County
ANALYST: Angie Tipton
NO DISCHARGE INDICATOR:

PARAMETER	Overflow Occurrence					
PARAMETER CODE	74062					
UNITS	No./Month					
FREQUENCY	1/Month					
SAMPLING TYPE	Total					
2023-04-01	0					
2023-04-02						
2023-04-03						
2023-04-04						
2023-04-05						
2023-04-06						
2023-04-07						
2023-04-08						
2023-04-09						
2023-04-10						
2023-04-11						
2023-04-12						
2023-04-13						
2023-04-14						
2023-04-15						
2023-04-16						
2023-04-17						
2023-04-18						
2023-04-19						
2023-04-20						
2023-04-21						
2023-04-22						
2023-04-23						
2023-04-24						
2023-04-25						
2023-04-26						
2023-04-27						
2023-04-28						
2023-04-29						
2023-04-30						
Minimum	0.0					
Maximum	0.0					
Average	0					
Count	1					
Name of Responsible Official or Authorized Representative	I certify under the penalty of law that I have personally examined and am familiar with the information submitted herein and based on my inquiry of those individuals immediately responsible for obtaining the information, I believe the submitted information is true, accurate and complete. I am aware that there are significant penalties for submitting false information, including the possibility of fine and imprisonment.			Signature of Responsible Official or Authorized Representative	Submission Date/Time	
Angela Tipton					2023-05-16 14:05	

Ohio EPA - Daily Discharge Monitoring Report - Form 4500

SUBMISSION ID: 1239809
FACILITY: Waynesville Regional WWTP
LOCATION: 444 US Rte 42 N
 Waynesville, OH 45068
COUNTY: Warren
DISTRICT: SWDO

STATUS: Original
PERMIT NUMBER: 1PB00032*MD
STATION CODE: 601
MONITORING PERIOD : 2023-04-01 To: 2023-04-30
REPORTING LAB: County
ANALYST: Angie Tipton
NO DISCHARGE INDICATOR:

PARAMETER	pH	Total Suspended Solids	CBOD 5 day				
PARAMETER CODE	00400	00530	80082				
UNITS	S.U.	mg/l	mg/l				
FREQUENCY	1/Day	2/Week	2/Week				
SAMPLING TYPE	Grab	24hr Composite	24hr Composite				
2023-04-01	AN						
2023-04-02	AN						
2023-04-03	7.0						
2023-04-04	7.1	68	107				
2023-04-05	7.2						
2023-04-06	7.0	108	73				
2023-04-07	6.9						
2023-04-08	AN						
2023-04-09	AN						
2023-04-10	7.0						
2023-04-11	7.1	128	105				
2023-04-12	7.4						
2023-04-13	7.3	88	103				
2023-04-14	7.0						
2023-04-15	AN						
2023-04-16	AN						
2023-04-17	7.1						
2023-04-18	7.1	120	100				
2023-04-19	7.4						
2023-04-20	7.2	128	129				
2023-04-21	7.2						
2023-04-22	AN						
2023-04-23	AN						
2023-04-24	7.6						
2023-04-25	7.4	124	142				
2023-04-26	7.3						
2023-04-27	7.2	108	88				
2023-04-28	7.3						
2023-04-29	AN						
2023-04-30	AN						
Minimum	6.9	68.0	73.0				
Maximum	7.6	128.0	142.0				
Average		109	105.875				
Count	20	8	8				

Name of Responsible Official or Authorized Representative	I certify under the penalty of law that I have personally examined and am familiar with the information submitted herein and based on my inquiry of those individuals immediately responsible for obtaining the information, I believe the submitted information is true, accurate and complete. I am aware that there are significant penalties for submitting false information, including the possibility of fine and imprisonment.	Signature of Responsible Official or Authorized Representative		Submission Date/Time
Angela Tipton				Certification Version Date 2023-05-16 14:05

Ohio EPA - Daily Discharge Monitoring Report - Form 4500

SUBMISSION ID: 1239809
FACILITY: Waynesville Regional WWTP
LOCATION: 444 US Rte 42 N
 Waynesville, OH 45068
COUNTY: Warren
DISTRICT: SWDO

STATUS: Original
PERMIT NUMBER: 1PB00032*MD
STATION CODE: 901
MONITORING PERIOD : 2023-04-01 To: 2023-04-30
REPORTING LAB: County
ANALYST: Angie Tipton
NO DISCHARGE INDICATOR:

PARAMETER	Water Temperature	pH				
PARAMETER CODE	00010	00400				
UNITS	C	S.U.				
FREQUENCY	1/Month	1/Month				
SAMPLING TYPE	Grab	Grab				
2023-04-01						
2023-04-02						
2023-04-03						
2023-04-04						
2023-04-05						
2023-04-06						
2023-04-07						
2023-04-08						
2023-04-09						
2023-04-10						
2023-04-11						
2023-04-12						
2023-04-13						
2023-04-14						
2023-04-15						
2023-04-16						
2023-04-17						
2023-04-18						
2023-04-19						
2023-04-20						
2023-04-21	8	8.1				
2023-04-22						
2023-04-23						
2023-04-24						
2023-04-25						
2023-04-26						
2023-04-27						
2023-04-28						
2023-04-29						
2023-04-30						
Minimum	8.0	8.1				
Maximum	8.0	8.1				
Average	8					
Count	1	1				

Name of Responsible Official or Authorized Representative	I certify under the penalty of law that I have personally examined and am familiar with the information submitted herein and based on my inquiry of those individuals immediately responsible for obtaining the information, I believe the submitted information is true, accurate and complete. I am aware that there are significant penalties for submitting false information, including the possibility of fine and imprisonment.	Signature of Responsible Official or Authorized Representative	Submission Date/Time
Angela Tipton			Certification Version Date 2023-05-16 14:05

Ohio EPA - Daily Discharge Monitoring Report - Form 4500

FACILITY:
LOCATION:

Waynesville Regional WWTP
444 US Rte 42 N
Waynesville, OH 45068

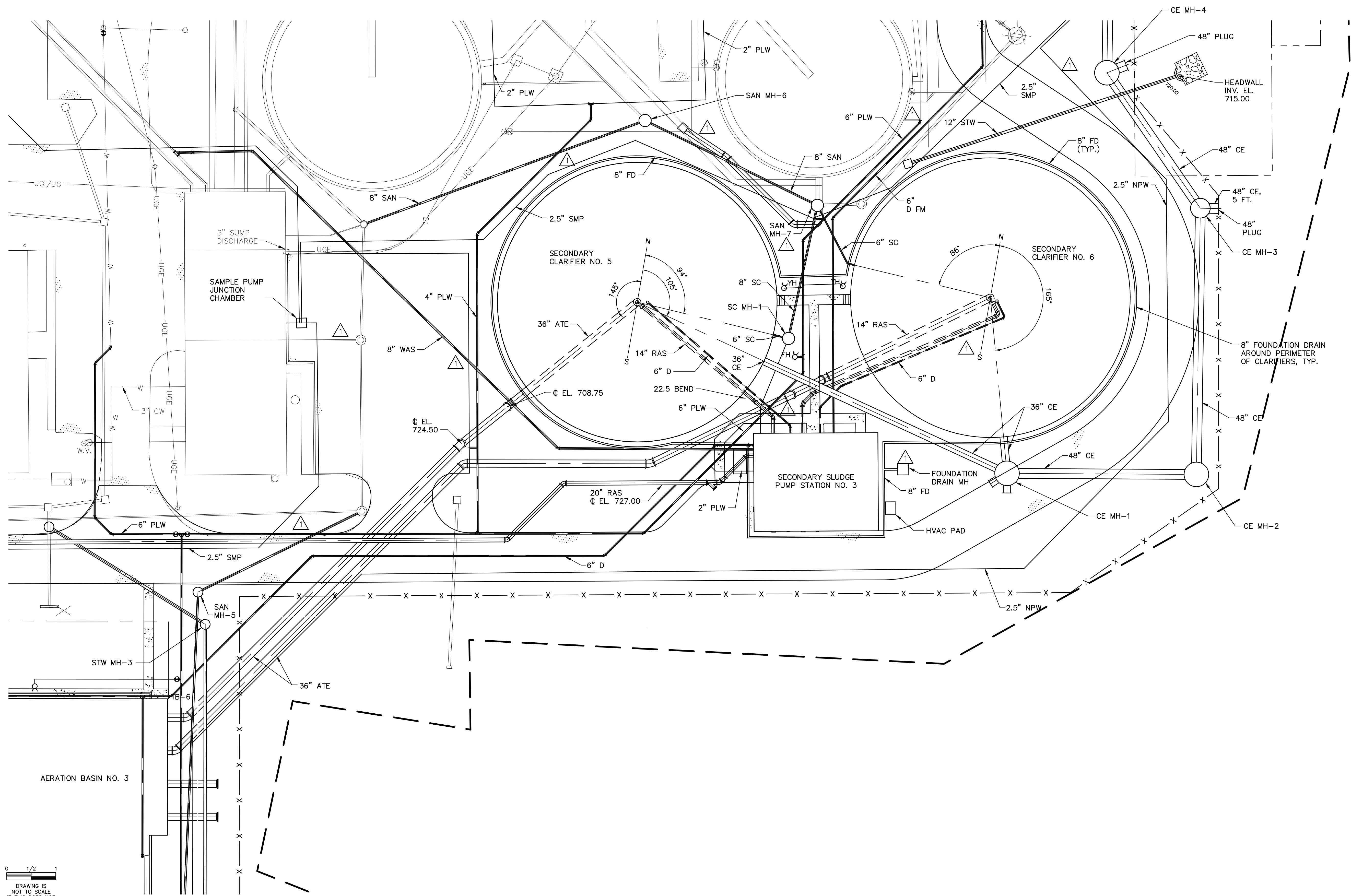
PERMIT NUMBER:
MONITORING PERIOD :

1PB00032*MD
2023-04-01 To: 2023-04-30

PARAMETER COMMENTS:

Station Code	Parameter Name	Parameter Code	Date	Unit	Comment
--------------	----------------	----------------	------	------	---------

User: \\ellis.Spec:Pirnie STANDARD File: \\755002\CADD\CIVIL\755002_054.DWG Scale: 1:1 Date: 08/03/2010 Time: 13:27 Layout: C02-10



0 1/2 1
DRAWING IS NOT TO SCALE IF THIS DOES NOT MEASURE 1 INCH.

RECORD DRAWING

This drawing reflects changes from the original contract drawing that were made during construction and have been prepared from information provided to the Engineer by the construction contractor(s)/owner(s). The Engineer does not warrant this drawing to be complete and accurate in all respects.

MALCOLM PIRNIE, INC.

Date _____ By _____

MALCOLM PIRNIE

NO.		BY	DATE	REVISIONS	REMARKS
Δ	1	SWM	08/2012	REVISED PER RECORD DRAWINGS	

DES EGT
DWN PJW
CKD BAO

WARREN COUNTY
WATER AND SEWER DEPARTMENT
LOWER LITTLE MIAMI
WWTP PHASE III UPGRADE

CIVIL
CLARIFIER PIPING
SITE PLAN
SCALE: 1:20

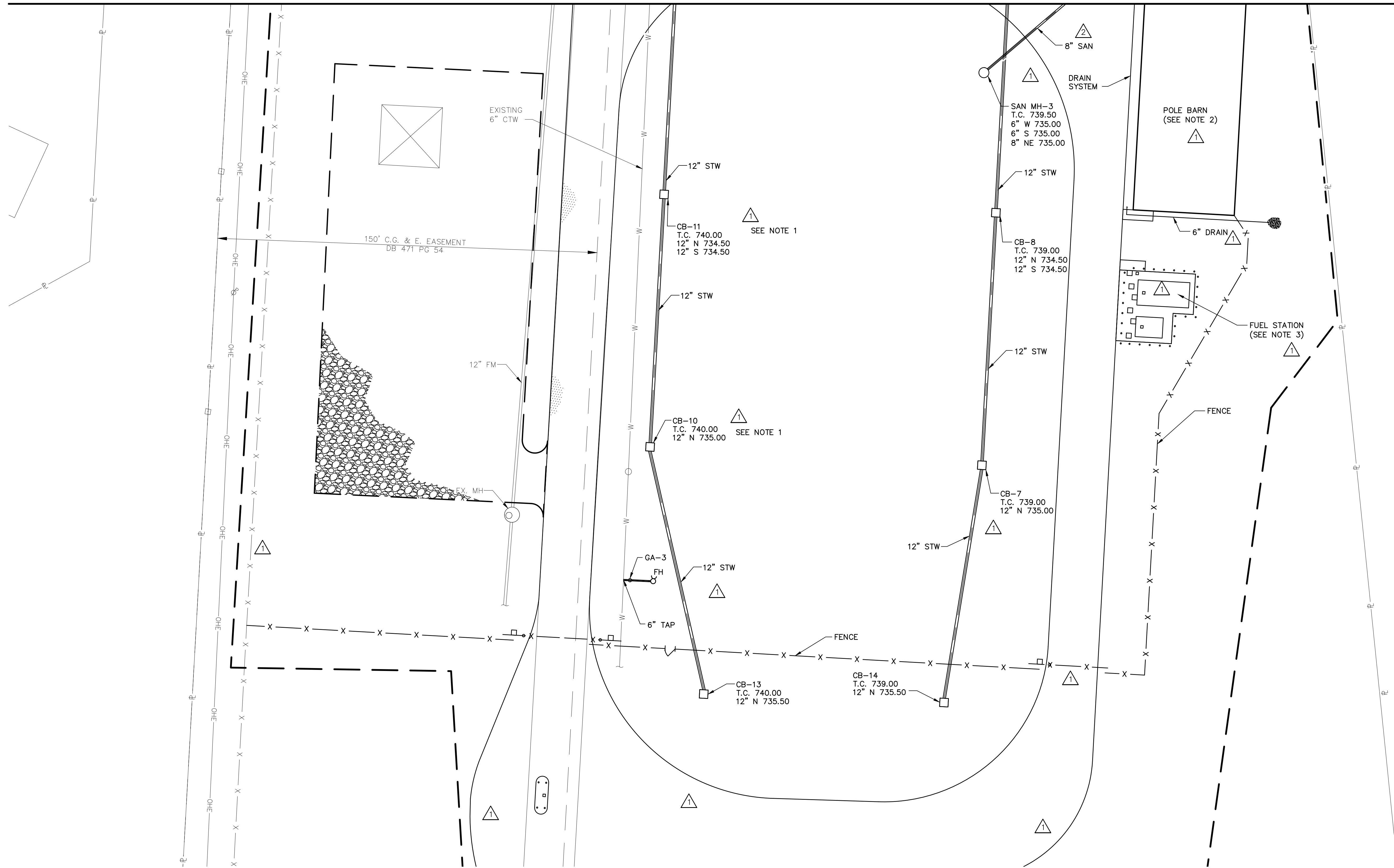
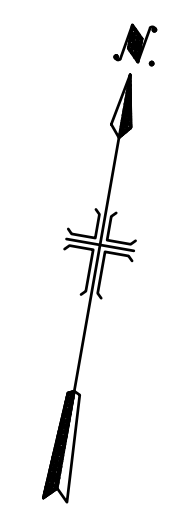
ISSUED STATUS: REC

DATE NOVEMBER, 2009

SHEET C02-10

CAD REF. NO. 4755002_054

MATCHLINE (SEE SHEET C02-07)



- NOTE:
1. PROVIDE A 1'-0" RISER SECTION TO BE REMOVED IN THE FUTURE.
 2. POLE BARN DESIGNED AND INSTALLED BY OTHERS.
 3. FUEL STATION DESIGNED BY OTHERS.

RECORD DRAWING

This drawing reflects changes from the original contract drawing that were made during construction and have been prepared from information provided to the Engineer by the construction contractor(s)/owner(s). The Engineer does not warrant this drawing to be complete and accurate in all respects.

MALCOLM PIRNIE, INC.

Date _____ By _____

0 1/2 1
DRAWING IS NOT TO SCALE IF THIS DOES NOT MEASURE 1 INCH.

NO.		BY	DATE	REVISIONS	REMARKS
Δ	1	SWM	8/22/11	COP-11G	
Δ	2	SWM	08/2012	REVISED PER RECORD DRAWINGS	

DES EGT
DWN PJW
CKD BAO

WARREN COUNTY
WATER AND SEWER DEPARTMENT
LOWER LITTLE MIAMI
WWTP PHASE III UPGRADE

CIVIL
PIPING SITE PLAN 9 OF 9

SCALE: 1:20

ISSUED STATUS: REC

DATE NOVEMBER, 2009

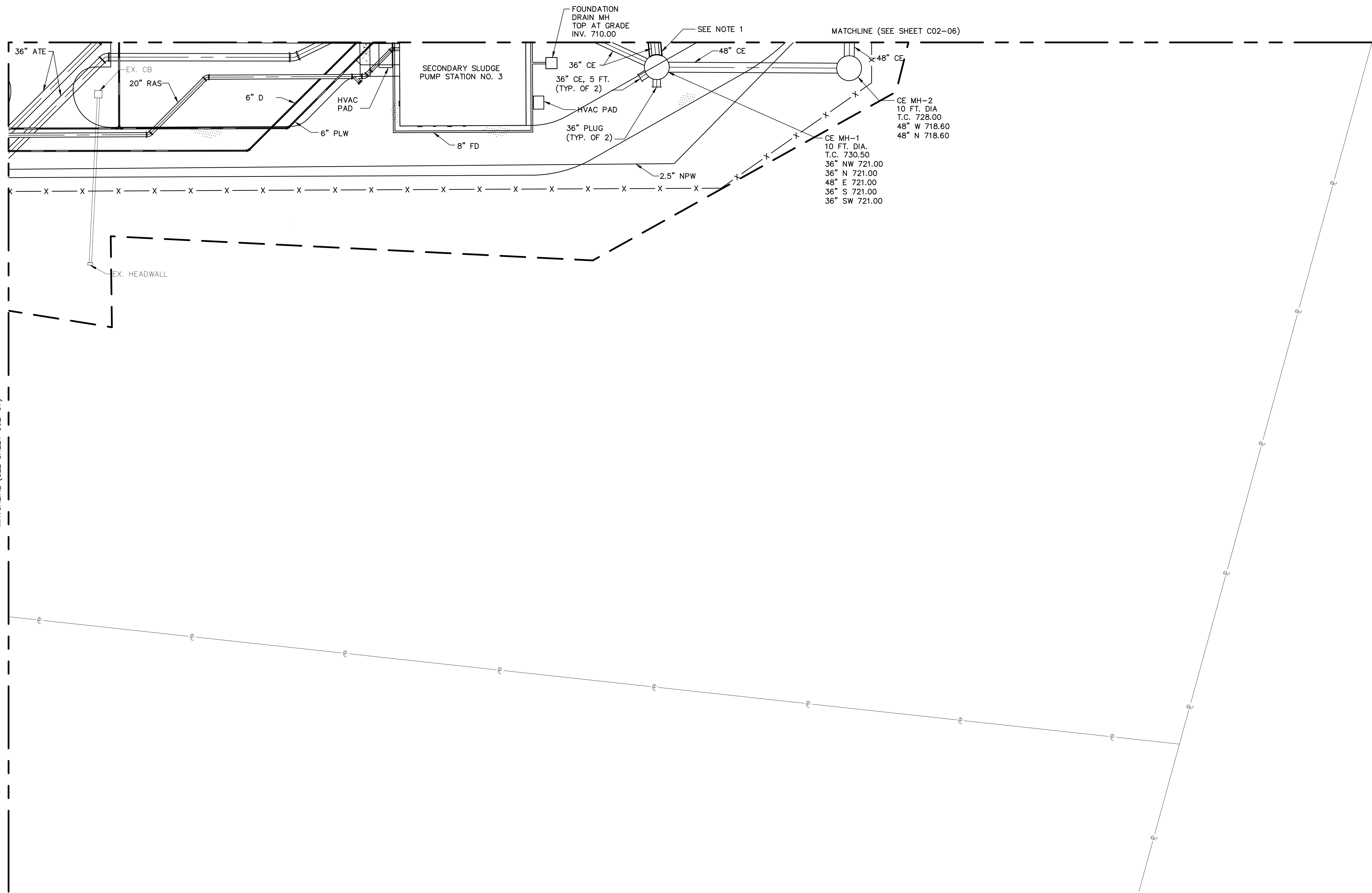
SHEET C02-09

CAD REF. NO. 4755002_050



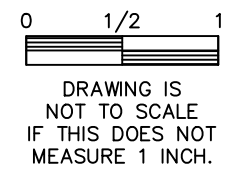
User: \\ellis.Spec:PIRNIE.STANDARD File: \\755002\CADD\CIVIL\755002_050.DWG Scale: 1:1 Date: 11/25/2009 Time: 16:45 Layout: C02-09

User: \\ellis_specs\PIRNIC\STANDARD File G: \PROJECTS\4755002\CADD\Record Drawings\Civil\4755002_049.DWG Scale: 1:1 Date: 09/27/2012 Time: 16:36 Layout: C02-08



MATCHLINE (SEE SHEET C02-07)

MATCHLINE (SEE SHEET C02-06)



DRAWING IS NOT TO SCALE IF THIS DOES NOT MEASURE 1 INCH.



RECORD DRAWING

This drawing reflects changes from the original contract drawing that were made during construction and have been prepared from information provided to the Engineer by the construction contractor(s)/owner(s). The Engineer does not warrant this drawing to be complete and accurate in all respects.

MALCOLM PIRNIE, INC.

Date _____ By _____



NO.		BY	DATE	REVISIONS	REMARKS
1	Δ	SWM	08/2012	REVISED PER RECORD DRAWINGS	

DES. EGT
 DWN. PJW
 CKD. BAO

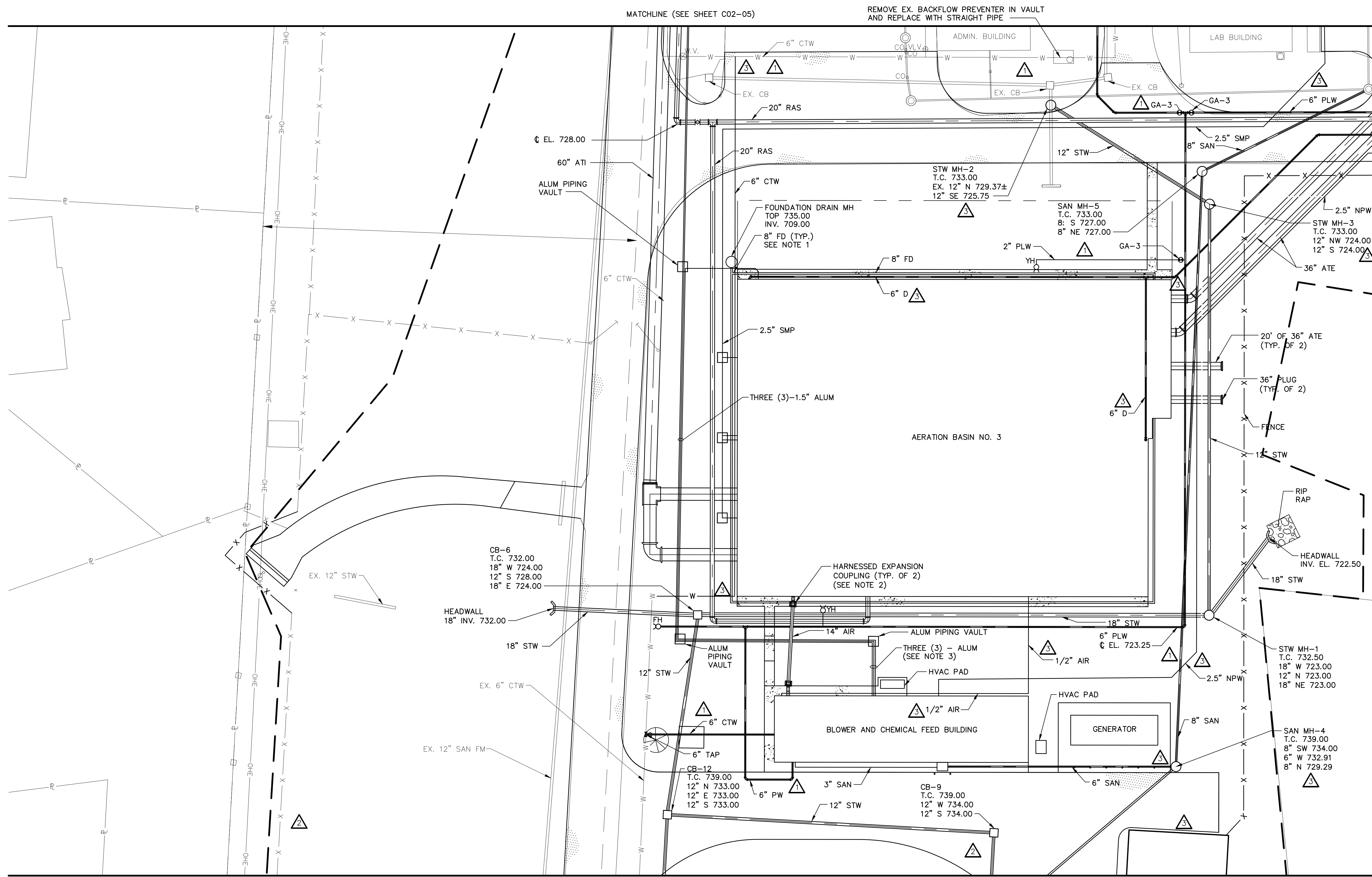
**WARREN COUNTY
 WATER AND SEWER DEPARTMENT
 LOWER LITTLE MIAMI
 WWTP PHASE III UPGRADE**

**CIVIL
 PIPING SITE PLAN 8 OF 9**

SCALE: 1:20

ISSUED STATUS: REC
 DATE: NOVEMBER, 2009
 SHEET: C02-08
 CAD REF. NO. 4755002_049

User: Torgersen, Spec: PIRNIE, STANDARD File: I:\755002\CADD\CIVIL\755002_048.DWG Scale: 1:1 Date: 08/11/2009 Time: 10:27 Layout: C02-07



EX. MH
CORE DRILL OPENING
INV. EL. 725.50. INSTALL
BY TYPICAL WALL CORE
DETAIL, TYPE 1 WITH
MECHANICAL SEALS

MATCHLINE (SEE SHEET C02-08)

NOTES:

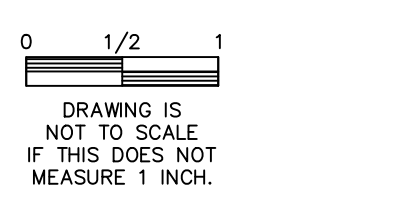
- FOUNDATION DRAIN PLACED AT BOTTOM SLAB. SEE DETAIL ON SHEET C00-04.
- CONTRACTOR SHALL PROVIDE AND INSTALL A STEEL CASING, AS MANUFACTURED BY MERCER RUBBER CO. OR EQUAL, AROUND ALL BURIED HARNESSED EXPANSION COUPLINGS. CONTRACTOR SHALL COORDINATE INSTALLATION WITH MANUFACTURER.
- ALUM PIPE CONSISTS OF 1" PVC FLEXIBLE BRAIDED TUBING WITH 2" PVC CARRIER PIPE.
- WORK SHOWN WITHIN THIS BOUNDARY LINE IS PART OF ALTERNATIVE NO. 5. SEE SPECIFICATION SECTION 01230 FOR DESCRIPTION OF ALTERNATIVES.

RECORD DRAWING

This drawing reflects changes from the original contract drawing that were made during construction and have been prepared from information provided to the Engineer by the construction contractor(s)/owner(s). The Engineer does not warrant this drawing to be complete and accurate in all respects.

MALCOLM PIRNIE, INC.

Date _____ By _____



NO.		BY	DATE	REVISIONS	REMARKS
1		SWM	05/06/10	CHANGE ORDER PROPOSAL #2	
2		SWM	8/22/11	CHANGE ORDER PROPOSAL - 11G	
3		SWM	08/2012	REVISED PER RECORD DRAWINGS	

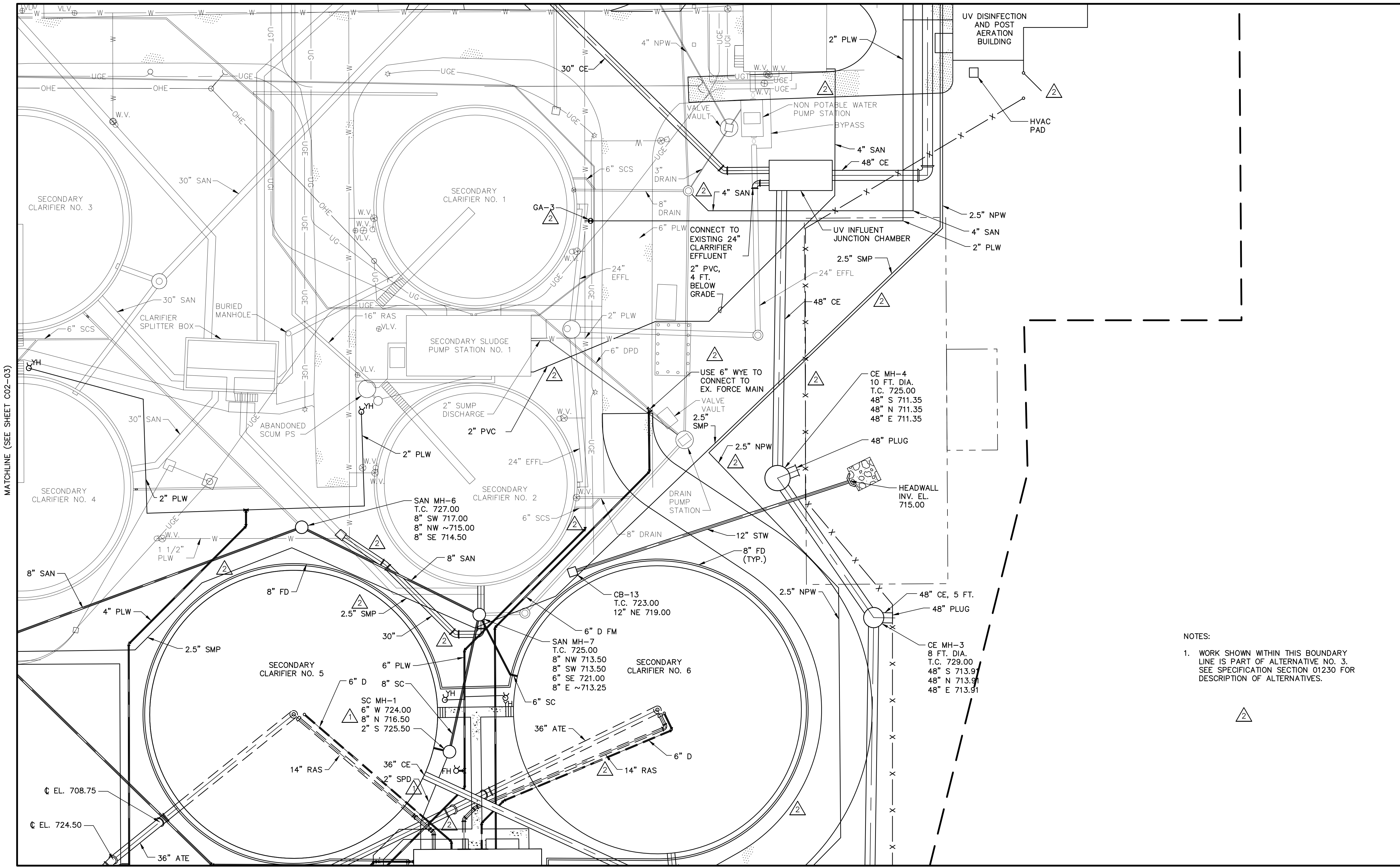
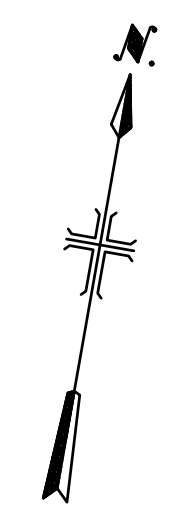
DES EGT
DWN PJW
CKD BAO

WARREN COUNTY
WATER AND SEWER DEPARTMENT
LOWER LITTLE MIAMI
WWTP PHASE III UPGRADE

CIVIL
PIPING SITE PLAN 7 OF 9
SCALE: 1:20

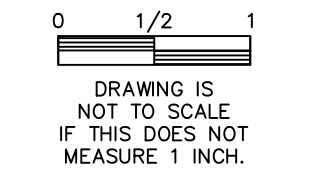
ISSUED STATUS: REC
DATE NOVEMBER, 2009
SHEET C02-07
CAD REF. NO. 4755002_048

MATCHLINE (SEE SHEET C02-04)



MATCHLINE (SEE SHEET C02-08)

NOTES:
1. WORK SHOWN WITHIN THIS BOUNDARY LINE IS PART OF ALTERNATIVE NO. 3. SEE SPECIFICATION SECTION 01230 FOR DESCRIPTION OF ALTERNATIVES.



DRAWING IS NOT TO SCALE IF THIS DOES NOT MEASURE 1 INCH.

RECORD DRAWING

This drawing reflects changes from the original contract drawing that were made during construction and have been prepared from information provided to the Engineer by the construction contractor(s)/owner(s). The Engineer does not warrant this drawing to be complete and accurate in all respects.

MALCOLM PIRNIE, INC.

Date _____ By _____



NO.		BY	DATE	REVISIONS	REMARKS
1	EGT	09/18/09		REVISED PER ADDENDUM 1	
2	SWM	08/2012		REVISED PER RECORD DRAWINGS	

DES EGT
DWN PJW
CKD BAO

WARREN COUNTY
WATER AND SEWER DEPARTMENT
LOWER LITTLE MIAMI
WWTP PHASE III UPGRADE

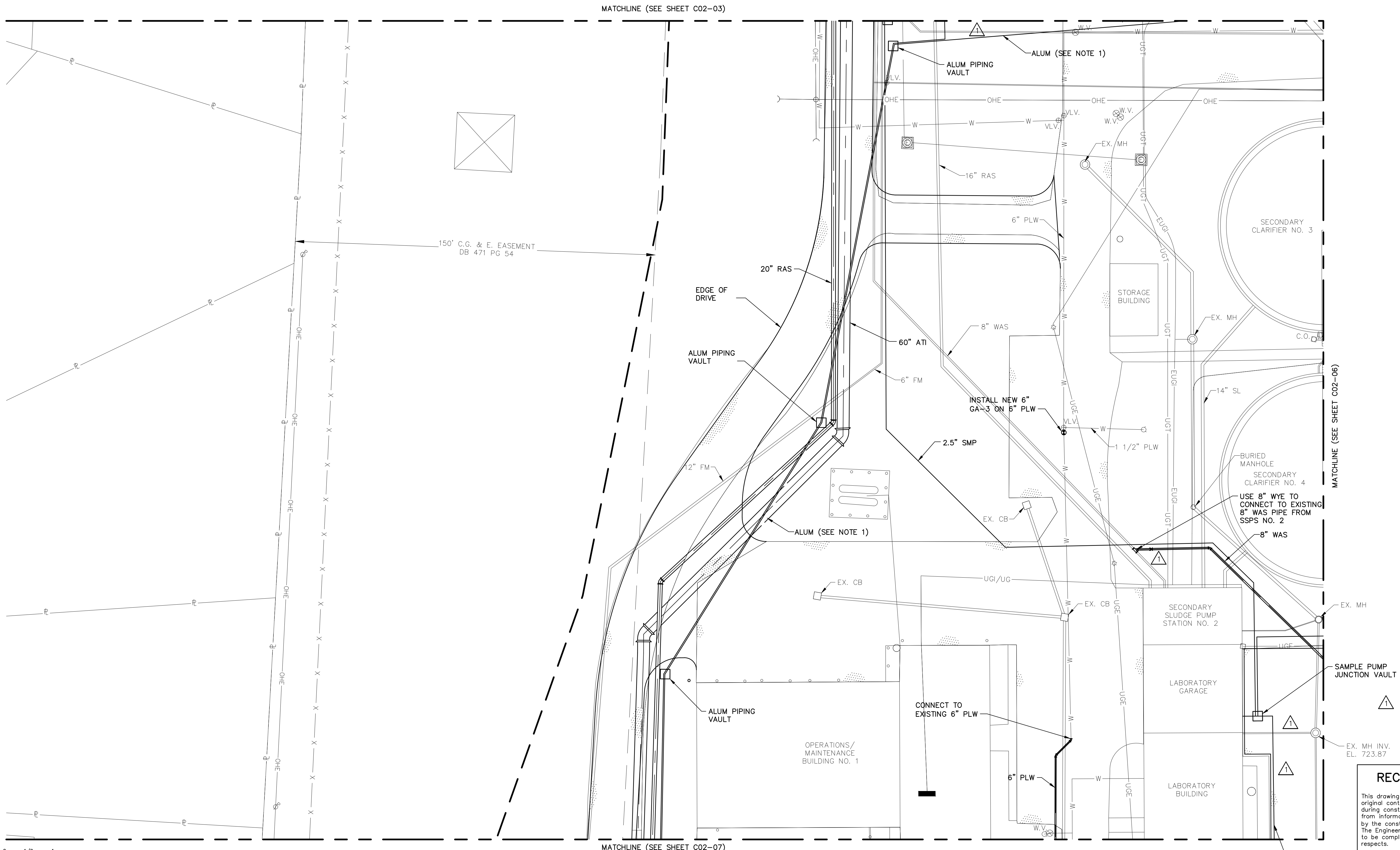
CIVIL
PIPING SITE PLAN 6 OF 9

SCALE: 1:20

ISSUED STATUS:	REC
DATE	NOVEMBER, 2009
SHEET	C02-06
CAD REF. NO.	4755002_047

User: HORLANDER Spec: GRW-TYLOMILL File: I:\4755002\CADD\CIVIL\4755002_047.DWG Scale: 1:1 Date: 08/10/2009 Time: 14:19 Layout: C02-06

User: \\ellis_specs\PIRNE_STANDARD File: \\755002\CADD\CIVIL\755002_046.DWG Scale: 1:1 Date: 04/27/2010 Time: 17:16 Layout: C02-05



0 1/2 1
DRAWING IS NOT TO SCALE IF THIS DOES NOT MEASURE 1 INCH.

NOTE:
1. ALUM PIPING CONSISTS OF 1" PVC BRAIDED FLEXIBLE TUBING WITH 2" PVC CARRIER PIPE

RECORD DRAWING
This drawing reflects changes from the original contract drawing that were made during construction and have been prepared from information provided to the Engineer by the construction contractor(s)/owner(s). The Engineer does not warrant this drawing to be complete and accurate in all respects.
MALCOLM PIRNIE, INC.
Date _____ By _____



NO.		BY	DATE	REVISIONS	REMARKS
1	Δ	SWM	08/2012	REVISED PER RECORD DRAWINGS	

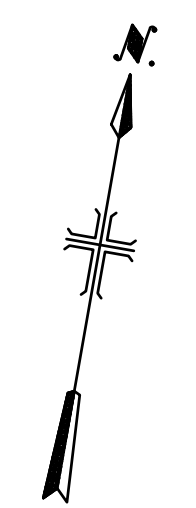
DES EGT
DWN PJW
CKD BAO

WARREN COUNTY
WATER AND SEWER DEPARTMENT
LOWER LITTLE MIAMI
WWTP PHASE III UPGRADE

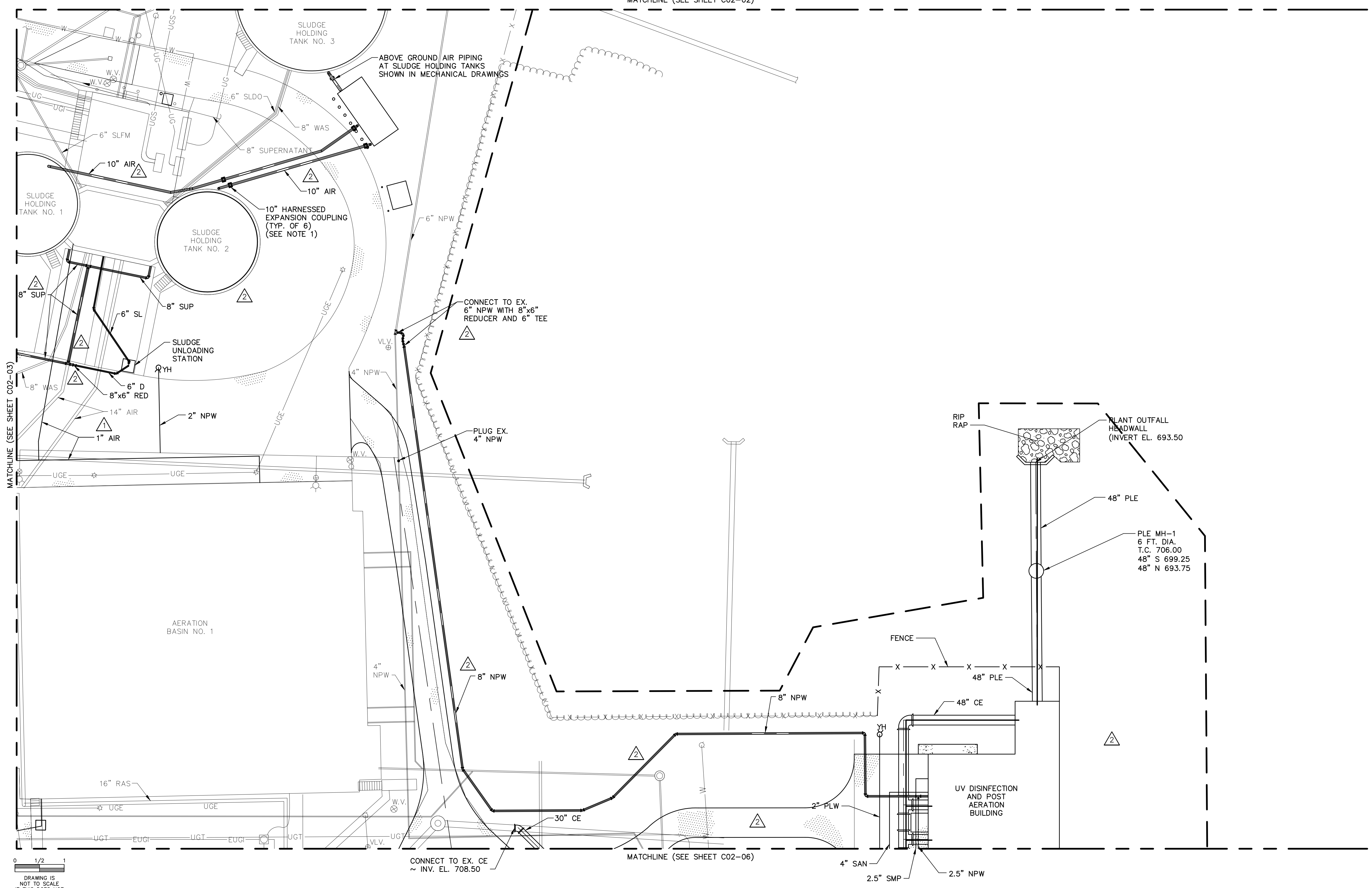
CIVIL
PIPING SITE PLAN 5 OF 9

SCALE: 1:20

ISSUED STATUS: REC
DATE NOVEMBER, 2009
SHEET C02-05
CAD REF. NO. 4755002_046



MATCHLINE (SEE SHEET C02-02)



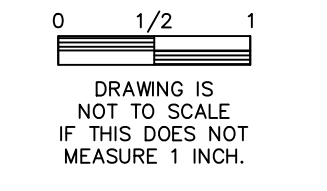
- NOTES:
1. CONTRACTOR SHALL PROVIDE AND INSTALL A STEEL CASING, AS MANUFACTURED BY MERCER RUBBER CO. OR EQUAL, AROUND ALL BURIED HARNESSSED EXPANSION COUPLINGS. CONTRACTOR SHALL COORDINATE INSTALLATION WITH MANUFACTURER.
 2. WORK SHOWN WITHIN THIS BOUNDARY LINE IS PART OF ALTERNATIVE NO. 2. SEE SPECIFICATION SECTION 01230 FOR DESCRIPTION OF ALTERNATIVES.
 3. WORK SHOWN WITHIN THIS BOUNDARY LINE IS PART OF ALTERNATIVE NO. 3. SEE SPECIFICATION SECTION 01230 FOR DESCRIPTION OF ALTERNATIVES.

RECORD DRAWING

This drawing reflects changes from the original contract drawing that were made during construction and have been prepared from information provided to the Engineer by the construction contractor(s)/owner(s). The Engineer does not warrant this drawing to be complete and accurate in all respects.

MALCOLM PIRNIE, INC.

Date _____ By _____



DRAWING IS NOT TO SCALE IF THIS DOES NOT MEASURE 1 INCH.

NO.		BY	DATE	REVISIONS	REMARKS
△	1	EGT	09/23/09	REVISED PER ADDENDUM 2	
△	2	SWM	08/2012	REVISED PER RECORD DRAWINGS	

DES EGT
 DWN PJW
 CKD BAO

WARREN COUNTY
 WATER AND SEWER DEPARTMENT
 LOWER LITTLE MIAMI
 WWTP PHASE III UPGRADE

CIVIL
 PIPING SITE PLAN 4 OF 9

SCALE: 1:20

ISSUED STATUS: REC

DATE NOVEMBER, 2009

SHEET C02-04

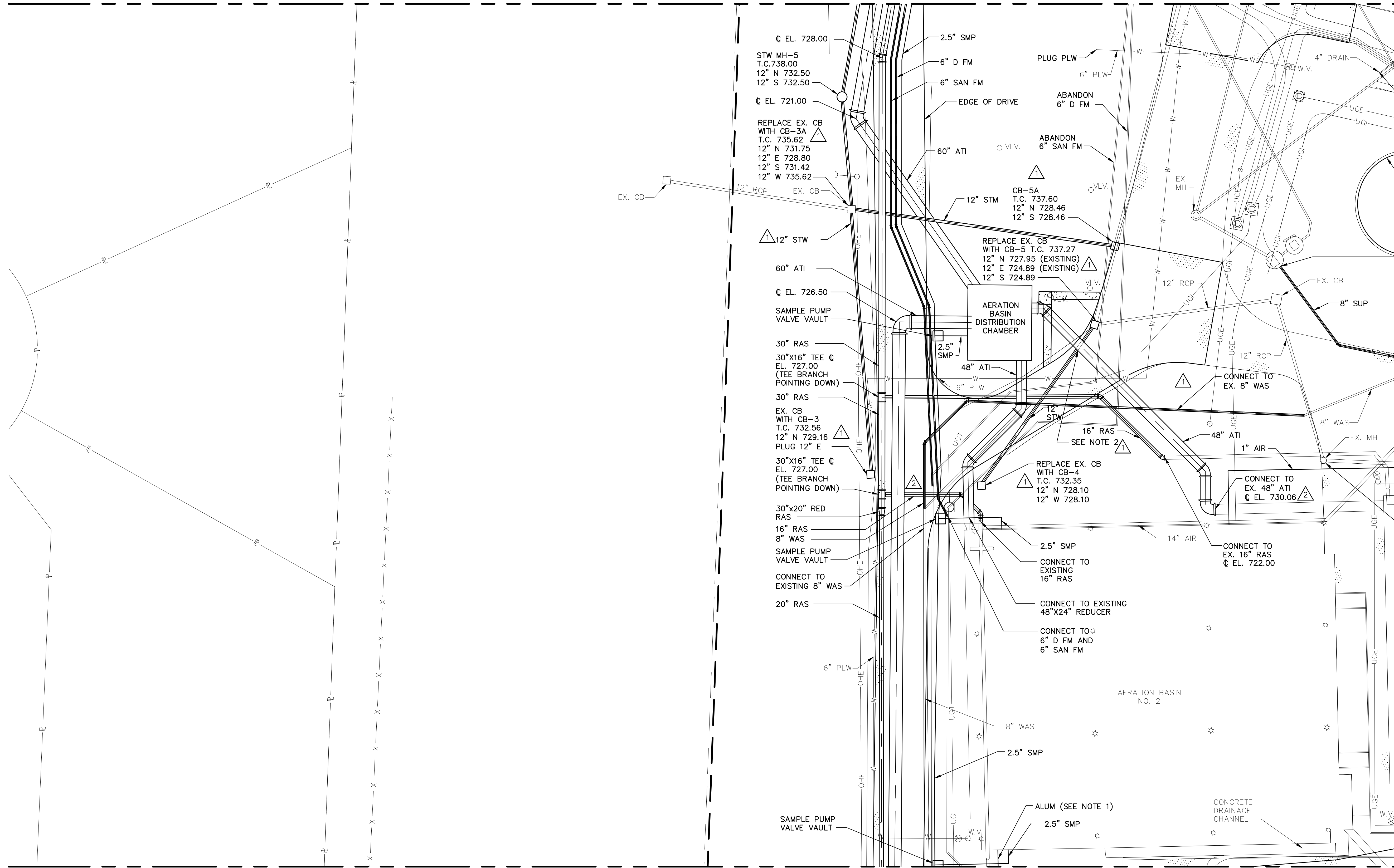
CAD REF. NO. 4755002_045

User: \\ellis.Spec:PIRNIE.STANDARD File: \\4755002\CADD\CIVIL\4755002_045.DWG Scale: 1:1 Date: 04/20/2010 Time: 11:51 Layout: C02-04

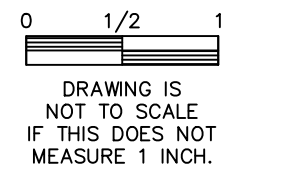
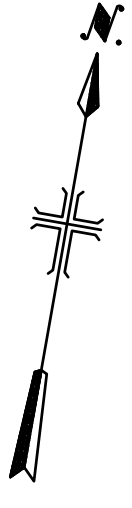


User: \\ellis.Spec:Pirnie STANDARD File: \\755002\CADD\CIVIL\755002_044.DWG Scale: 1:1 Date: 01/13/2011 Time: 08:50 Layout: C02-03

MATCHLINE (SEE SHEET C02-01)



MATCHLINE (SEE SHEET C02-05)



DRAWING IS NOT TO SCALE IF THIS DOES NOT MEASURE 1 INCH.

PLUG 4" DRAIN FROM ODOR CONTROL EQUIPMENT

SLUDGE HOLDING TANK NO. 1

PIPE INVERT EL. 729.42 INSTALL BY TYPICAL WALL CORE DETAIL, TYPE 1 WITH MECHANICAL SEALS

MATCHLINE (SEE SHEET C02-04)

INSTALL BY TYPICAL WALL CORE DETAIL, TYPE 1 WITH MECHANICAL SEALS

- NOTE:
1. ALUM PIPING CONSISTS OF 1" PVC BRAIDED FLEXIBLE TUBING WITH 2" PVC CARRIER PIPE.
 2. THE 12" STM INVERT ELEVATION AT THIS POINT IS 724.89 AND INSTALLED LEVEL TO CB-5.

RECORD DRAWING

This drawing reflects changes from the original contract drawing that were made during construction and have been prepared from information provided to the Engineer by the construction contractor(s)/owner(s). The Engineer does not warrant this drawing to be complete and accurate in all respects.

MALCOLM PIRNIE, INC.

Date _____ By _____



NO.		BY	DATE	REVISIONS	REMARKS
▲	1	SMW	DEC 2010	CHANGE ORDER PROPOSAL 8-G	
▲	2	SWM	08/2012	REVISED PER RECORD DRAWINGS	

DES EGT
DWN PJW
CKD BAO

WARREN COUNTY
WATER AND SEWER DEPARTMENT
LOWER LITTLE MIAMI
WWTP PHASE III UPGRADE

CIVIL
PIPING SITE PLAN 3 OF 9

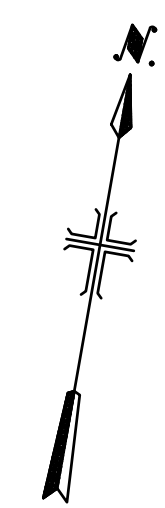
SCALE: 1:20

ISSUED STATUS: REC

DATE NOVEMBER, 2009

SHEET C02-03

CAD REF. NO. 4755002_044



0 1/2 1
DRAWING IS NOT TO SCALE IF THIS DOES NOT MEASURE 1 INCH.

RECORD DRAWING

This drawing reflects changes from the original contract drawing that were made during construction and have been prepared from information provided to the Engineer by the construction contractor(s)/owner(s). The Engineer does not warrant this drawing to be complete and accurate in all respects.

MALCOLM PIRNIE, INC.

Date _____ By _____



NO.		BY	DATE	REVISIONS	REMARKS
1	Δ	EGT	09/23/09	REVISED PER ADDENDUM 2	
2	Δ	SWM	08/2012	REVISED PER RECORD DRAWINGS	

DES EGT
DWN PJW
CKD BAO

WARREN COUNTY
WATER AND SEWER DEPARTMENT
LOWER LITTLE MIAMI
WWTP PHASE III UPGRADE

CIVIL
PIPING SITE PLAN 2 OF 9

SCALE: 1:20

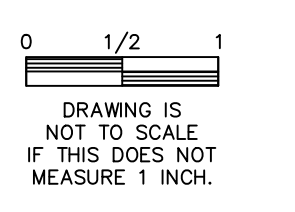
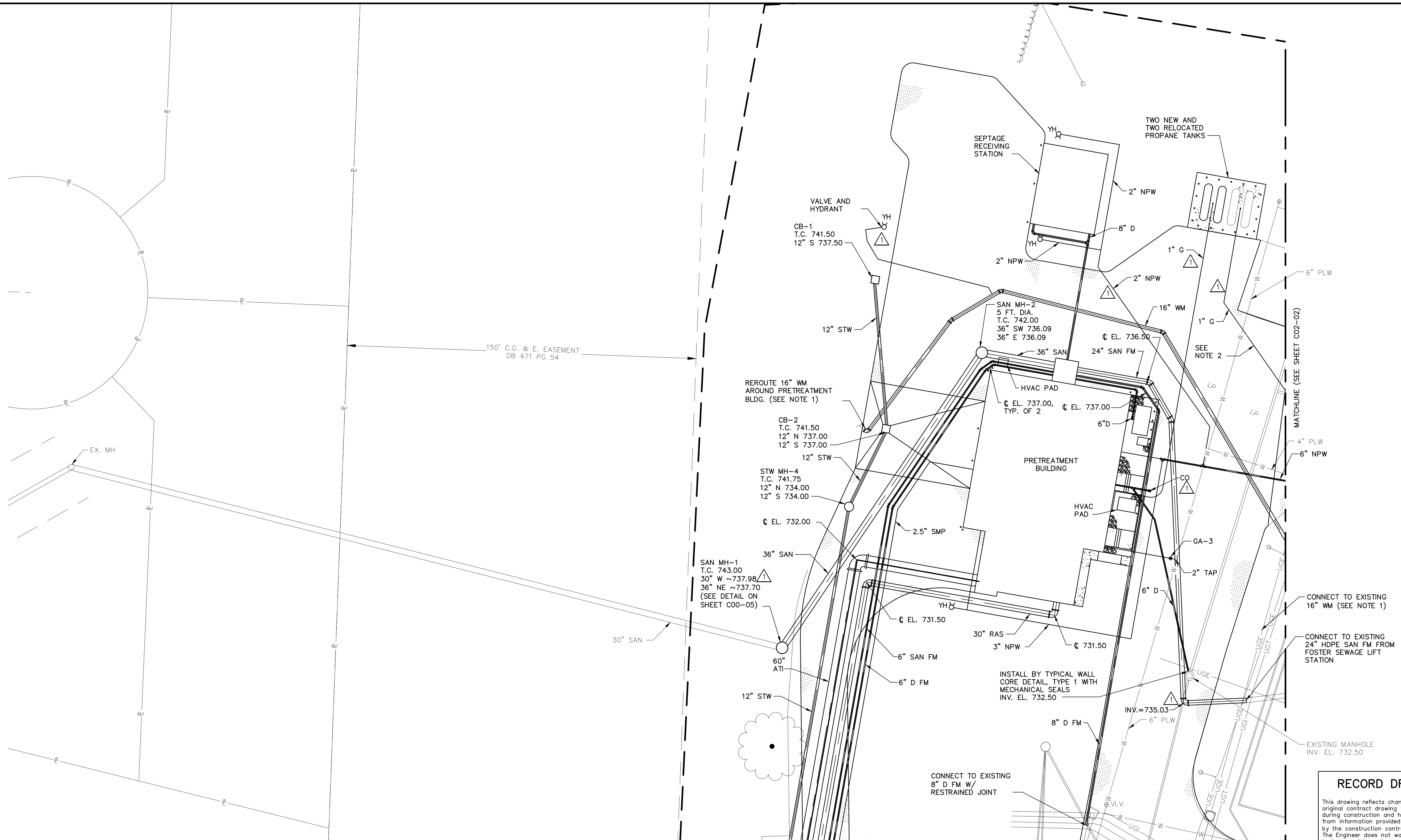
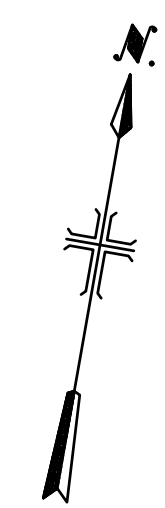
ISSUED STATUS: REC

DATE NOVEMBER, 2009

SHEET C02-02

CAD REF. NO. 4755002_043

User: \\ellis Spec:PIRNIE STANDARD File: \\755002\CADD\CIVIL\755002_043.DWG Scale: 1:1 Date: 10/23/2009 Time: 14:25 Layout: C02-02



DRAWING IS NOT TO SCALE IF THIS DOES NOT MEASURE 1 INCH.

MATCHLINE (SEE SHEET C02-03)

MATCHLINE (SEE SHEET C02-02)

NOTES:

1. CONNECT TO EXISTING PIPE USING A RESTRAINED JOINT. ALL WM PIPE JOINTS SHALL BE RESTRAINED. MAINTAIN A MINIMUM 10 FT. HORIZONTAL DISTANCE FROM SAN PIPELINES TO WM PIPE.
2. CONTRACTOR SHALL CONNECT TO EXISTING 1" PROPANE GAS LINE.

RECORD DRAWING

This drawing reflects changes from the original contract drawing that were made during construction and have been prepared from information provided to the Engineer by the construction contractor(s)/owner(s). The Engineer does not warrant this drawing to be complete and accurate in all respects.

MALCOLM PIRNIE, INC.

Date _____ By _____



NO.		BY	DATE	REVISIONS	REMARKS
1	Δ	SWM	08/2012	REVISED PER RECORD DRAWINGS	

DES EGT
DWN PJW
CKD BAO

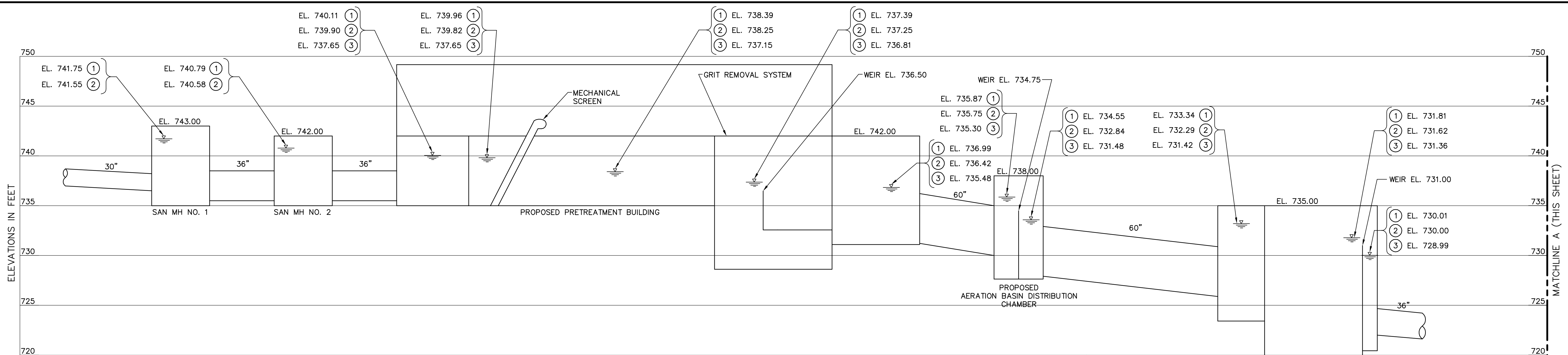
WARREN COUNTY
WATER AND SEWER DEPARTMENT
LOWER LITTLE MIAMI
WWTP PHASE III UPGRADE

CIVIL
PIPING SITE PLAN 1 OF 9

SCALE: 1:20

ISSUED STATUS: REC
DATE NOVEMBER, 2009
SHEET C02-01
CAD REF. NO. 4755002_032

User: \\ellis.Spec:PIRNIE.STANDARD File: \\755002\CADD\CIVIL\755002_032.DWG Scale: 1:1 Date: 04/21/2010 Time: 13:55 Layout: C02-01

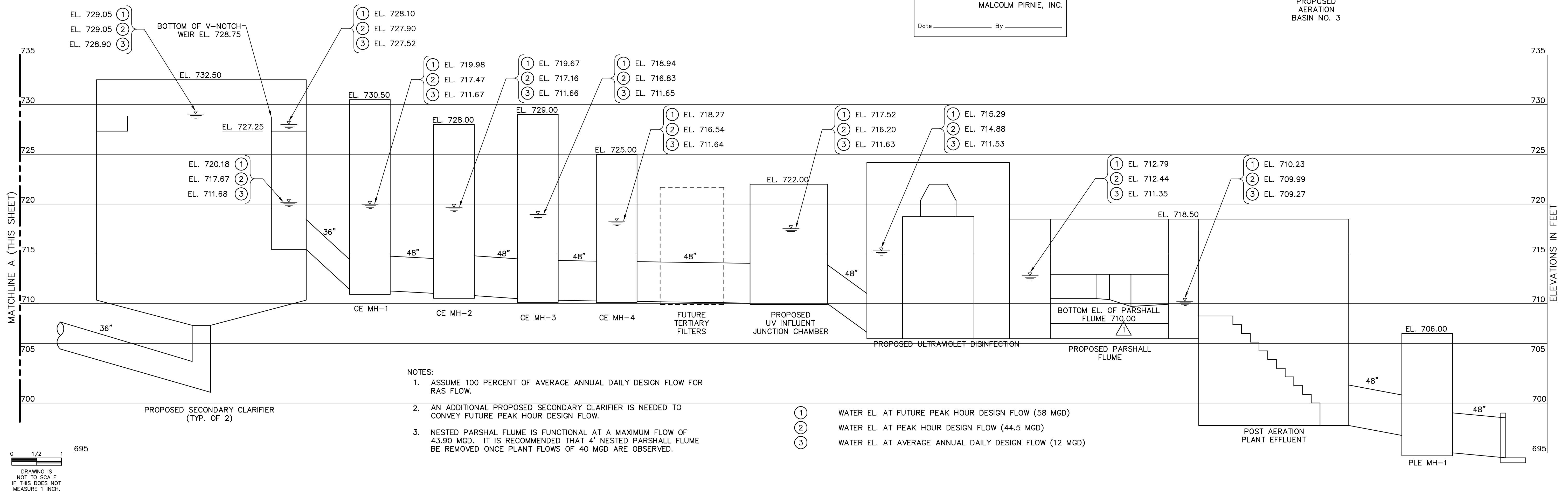


RECORD DRAWING

This drawing reflects changes from the original contract drawing that were made during construction and have been prepared from information provided to the Engineer by the construction contractor(s)/owner(s). The Engineer does not warrant this drawing to be complete and accurate in all respects.

MALCOLM PIRNIE, INC.

Date _____ By _____



- NOTES:**
1. ASSUME 100 PERCENT OF AVERAGE ANNUAL DAILY DESIGN FLOW FOR RAS FLOW.
 2. AN ADDITIONAL PROPOSED SECONDARY CLARIFIER IS NEEDED TO CONVEY FUTURE PEAK HOUR DESIGN FLOW.
 3. NESTED PARSHALL FLUME IS FUNCTIONAL AT A MAXIMUM FLOW OF 43.90 MGD. IT IS RECOMMENDED THAT 4" NESTED PARSHALL FLUME BE REMOVED ONCE PLANT FLOWS OF 40 MGD ARE OBSERVED.

- (1) WATER EL. AT FUTURE PEAK HOUR DESIGN FLOW (58 MGD)
- (2) WATER EL. AT PEAK HOUR DESIGN FLOW (44.5 MGD)
- (3) WATER EL. AT AVERAGE ANNUAL DAILY DESIGN FLOW (12 MGD)

0 1/2 1
695
DRAWING IS NOT TO SCALE IF THIS DOES NOT MEASURE 1 INCH.



NO.		BY	DATE	REVISIONS	REMARKS
1	Δ	SWM	08/2012	REVISED PER RECORD DRAWINGS	

DES EGT
DWN PJW
CKD BAO

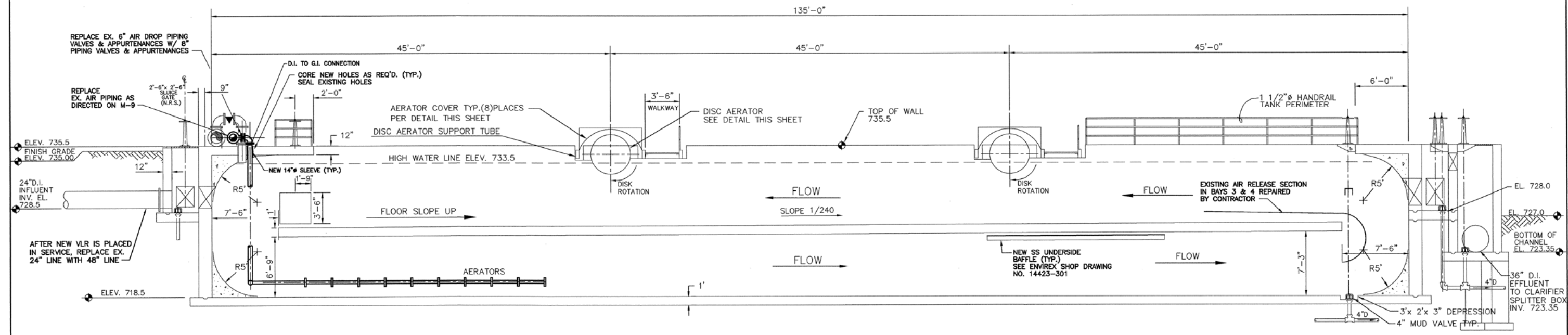
**WARREN COUNTY
WATER AND SEWER DEPARTMENT
LOWER LITTLE MIAMI
WWTP PHASE III UPGRADE**

**GENERAL
PROPOSED HYDRAULIC PROFILE**

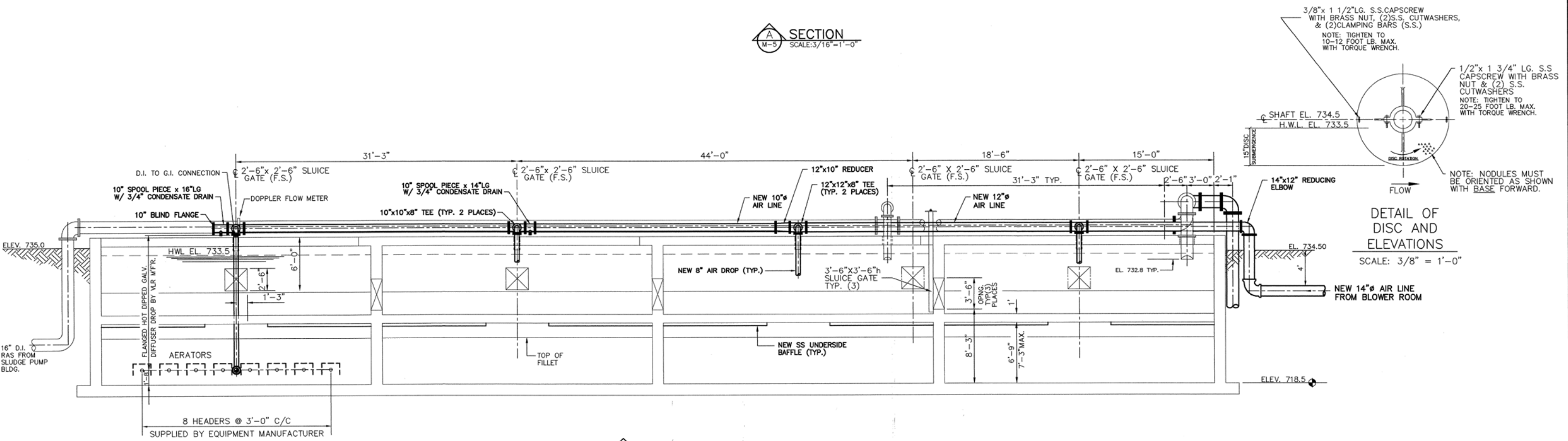
SCALE: HORIZ. - NOT TO SCALE VERT. - NOT TO SCALE

ISSUED STATUS: REC
DATE NOVEMBER, 2009
SHEET G00-05
CAD REF. NO. 4755002_004

User: Torjensen Spec: PIRNIE STANDARD File: \\4755002\CADD\GEN\4755002_004.DWG Scale: 1:1 Date: 08/12/2009 Time: 13:39 Layout: G00-05



SECTION A
SCALE: 3/16" = 1'-0"



SECTION B
SCALE: 3/16" = 1'-0"

NOTE: EX. AIR PIPING NOT SHOWN FOR CLARITY

93094M10 12/17/97 1=64

DESIGNED BY: MLL	REVISIONS	
DRAWN BY: KLB	BY: AS BUILT	DATE: 12-17-97
QA/QC	WJS/PJO	

PDR Engineers, Inc.
Lexington • Atlanta • Cincinnati • Louisville • Memphis • Huntsville
4665 Cornell Road • Cincinnati, Ohio 45241 • (513) 247-0666

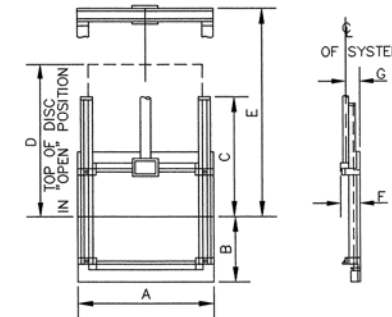
WARREN COUNTY
WATER AND SEWER DEPARTMENT
903 NORTH BROADWAY
LEBANON, OHIO 45036

LOWER LITTLE MIAMI
WASTEWATER TREATMENT PLANT
PHASE II EXPANSION
WARREN COUNTY, OHIO

EXIST. VLR IMPROVEMENTS
AERATION BASIN
SECTIONS
SCALE: 3/16" = 1'-0"

SHEET NO.
M-10
ACCESSION NO.

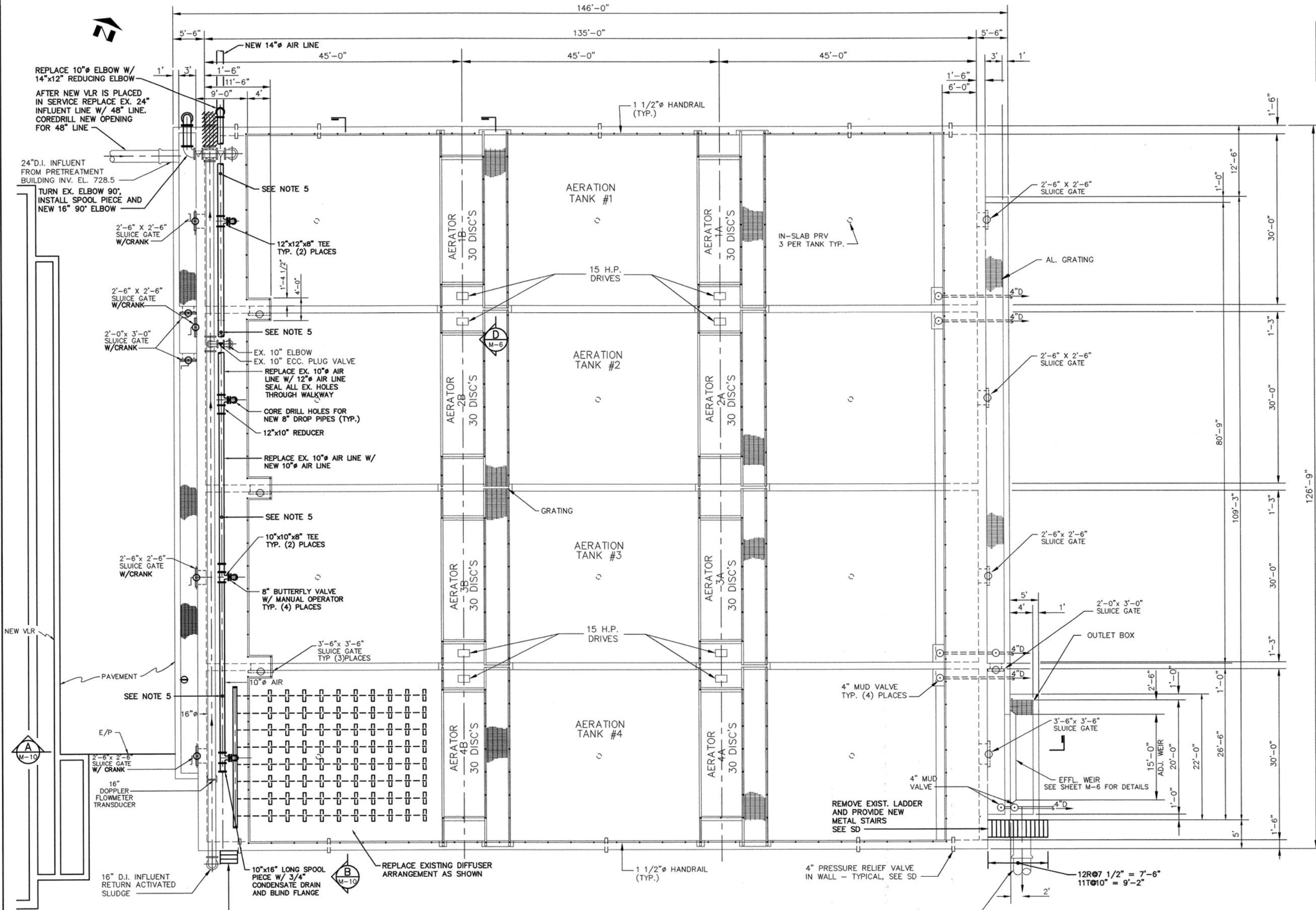
SIZE W X H	A	B	C	D	E	F	G
24" X 36"	34	23	38	60	67 3/4	9 1/2	6 1/4
36" X 36"	46	23	38	60	67 3/4	9 1/2	6 1/4
30" X 30"	40	20	32	51	58 1/4	9 1/4	6 1/4
42" X 42"	53 1/2	26	44	69	82	9 1/2	6 1/4



SLUICE GATE DETAIL
N.T.S.

NOTES:

- (1) REPLACE EXISTING HANDWHEELS WITH CRANK TYPE OPERATORS ON SLUICE GATES IN INFLUENT CHANNEL (TYP. OF 6)
- (2) REPLACE ALL EXISTING PIPE INSULATION ON AIR LINES.
- (3) ALL NEW PIPING AND DIFFUSERS SAME AS NEW VLR'S
- (4) EXISTING AIR PIPING NOT SHOWN FOR CLARITY.
- (5) PROVIDE TAP FOR AIR FLOW METER TO BE FURNISHED AND INSTALLED UNDER CONTRACT III. COORDINATE W/ CONTRACT III FOR SIZE AND LOCATION. (TYP. 4 REQ'D)



PLAN VIEW
SCALE: 1/8" = 1'-0"

93094M9 11/17/97 1=96

DESIGNED BY: MLL	REVISIONS	
DRAWN BY: KLB	BY: AS BUILT	DATE: 11-17-97
QA/QC	WJS/PJO	

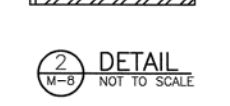
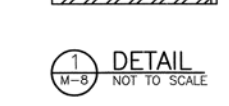
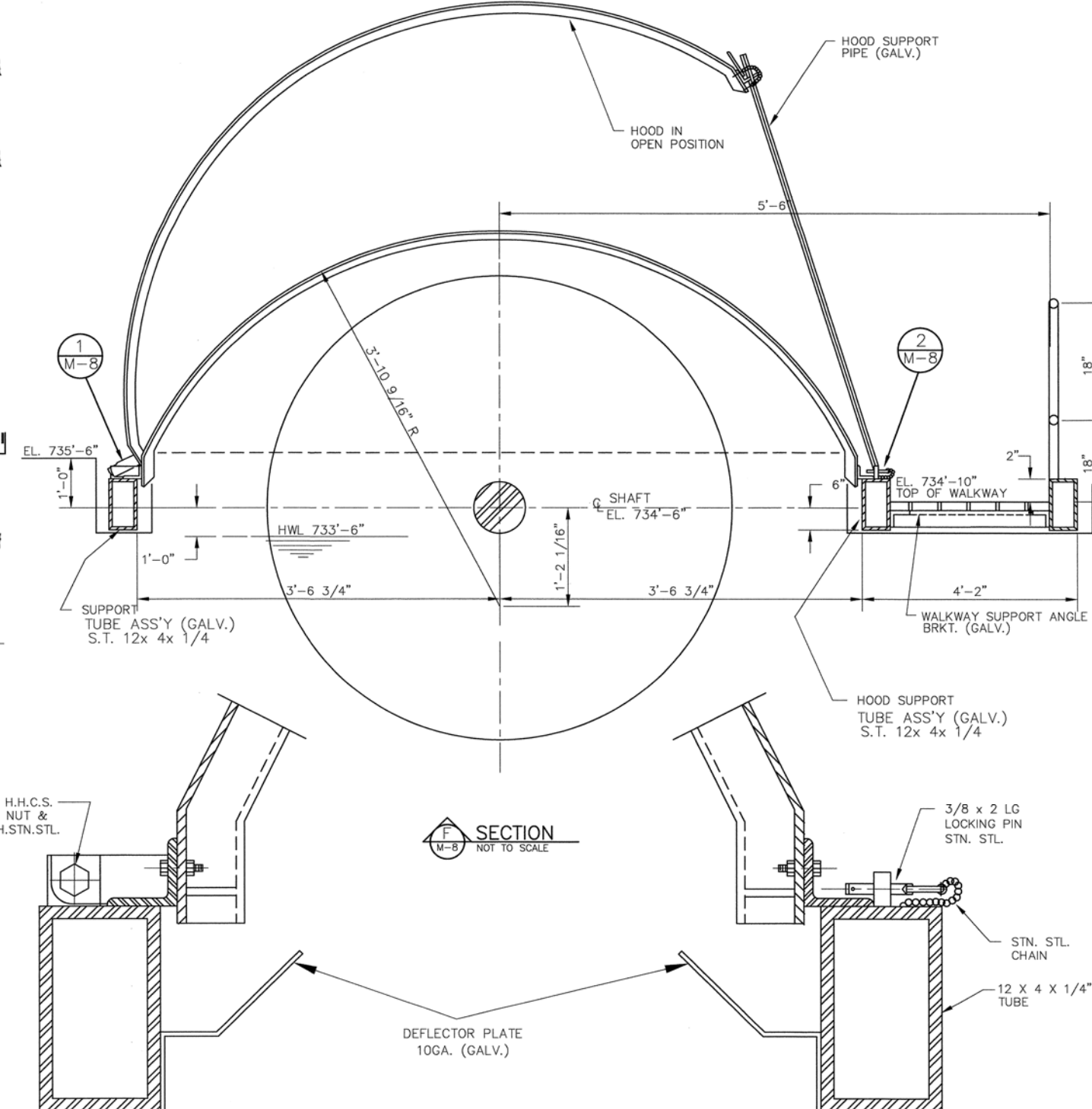
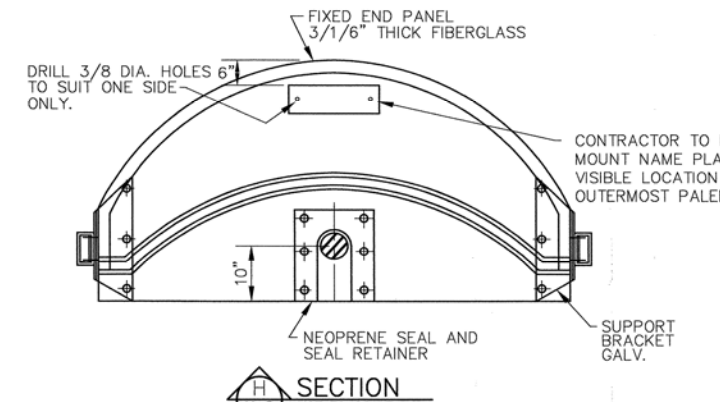
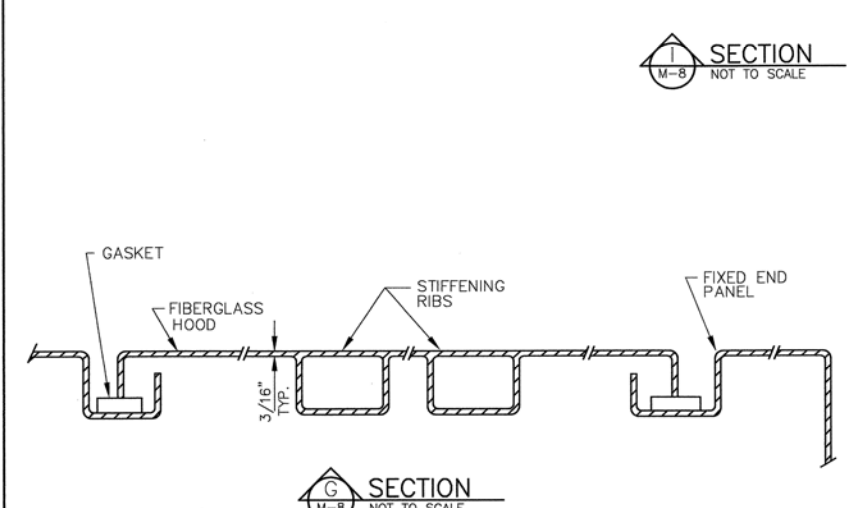
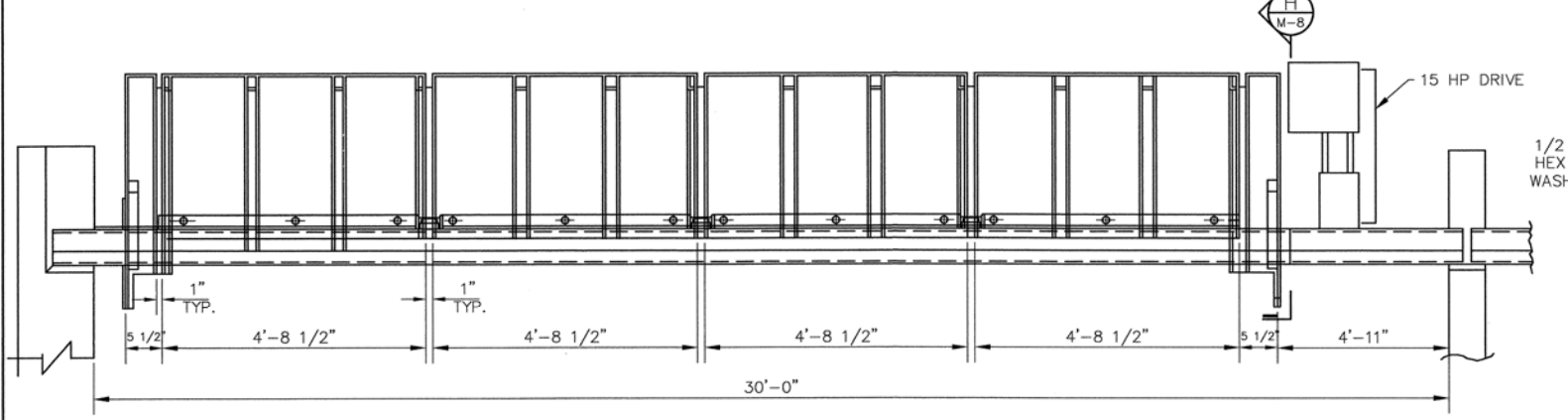
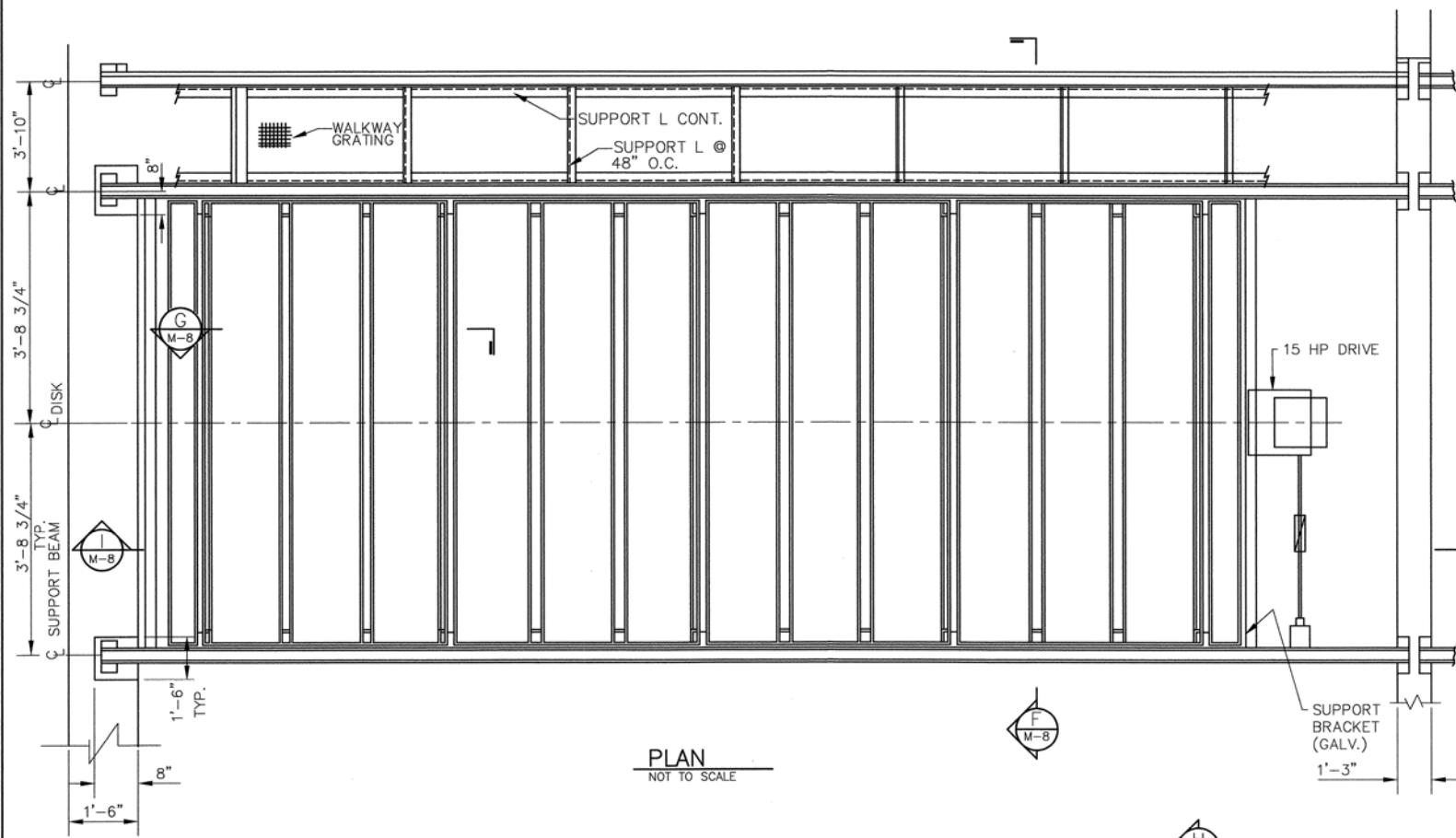
PDR Engineers, Inc.
Lexington • Atlanta • Cincinnati • Louisville • Memphis • Huntsville
4665 Cornell Road • Cincinnati, Ohio 45241 • (513) 247-0666

WARREN COUNTY
WATER AND SEWER DEPARTMENT
903 NORTH BROADWAY
LEBANON, OHIO 45036

LOWER LITTLE MIAMI
WASTEWATER TREATMENT PLANT
PHASE II EXPANSION
WARREN COUNTY, OHIO

EXIST. VLR IMPROVEMENTS
AERATION BASIN
PLAN
SCALE: 1/8" = 1'-0"

SHEET NO.
M-9
ACCESSION NO.



NOTE:
ITEMS ON THIS SHEET ARE INTENDED TO PROVIDE GENERAL INSTALLATION/FABRICATION REQUIREMENTS. DETAILS ARE NOT INTENDED TO RELIEVE THE CONTRACTOR'S RESPONSIBILITY TO VERIFY AND COORDINATE ALL TECHNICAL DATA WITH THE EQUIPMENT MANUFACTURER(S).

93094M8 8/28/97 1=32

DESIGNED BY: MLL	REVISIONS	
DRAWN BY: JLR	BY: AS BUILT	DATE: 8-28-97
QA/QC	WJS/PJO	

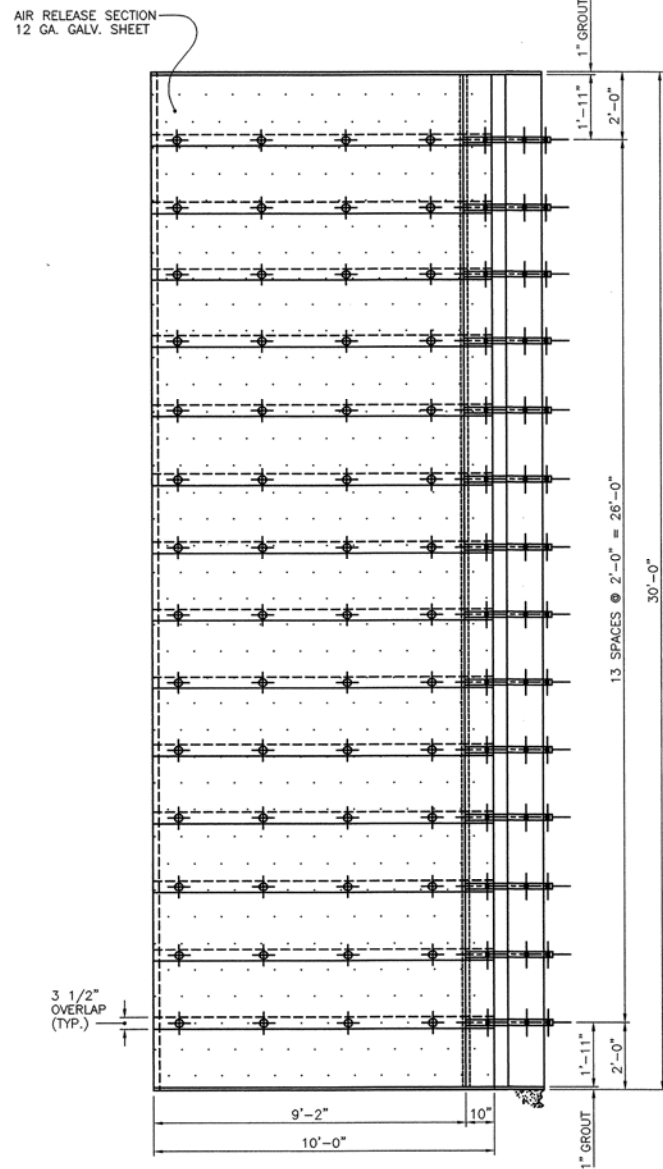
PDR Engineers, Inc.
Lexington • Atlanta • Cincinnati • Louisville • Memphis • Huntsville
4665 Cornell Road • Cincinnati, Ohio 45241 • (513) 247-0666

WARREN COUNTY
WATER AND SEWER DEPARTMENT
903 NORTH BROADWAY
LEBANON, OHIO 45036

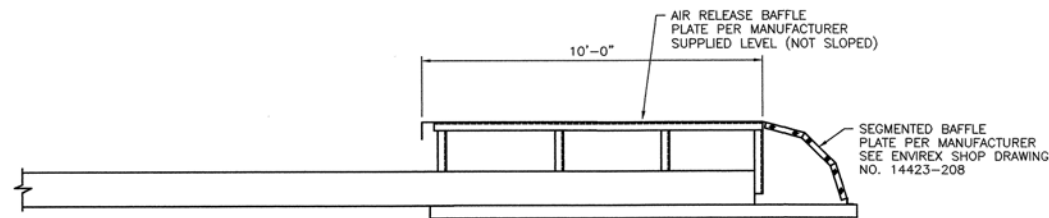
LOWER LITTLE MIAMI
WASTEWATER TREATMENT PLANT
PHASE II EXPANSION
WARREN COUNTY, OHIO

VLR AERATION
BASIN
DETAILS
SCALE: NOT TO SCALE

SHEET NO.
M-8
ACCESSION NO.



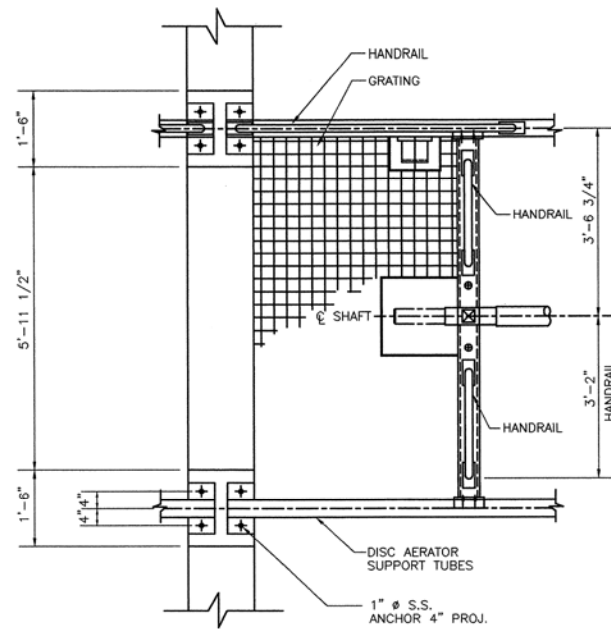
PLAN



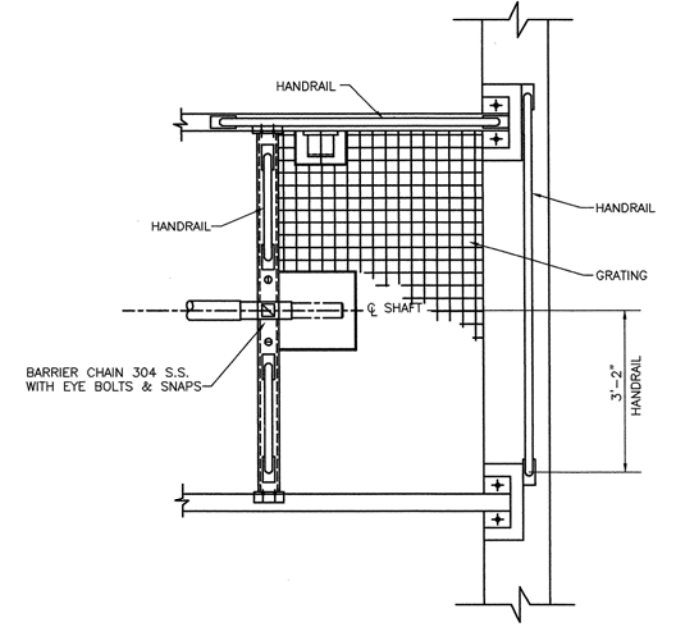
SECTION

DETAIL - AIR RELEASE SECTION

NOT TO SCALE



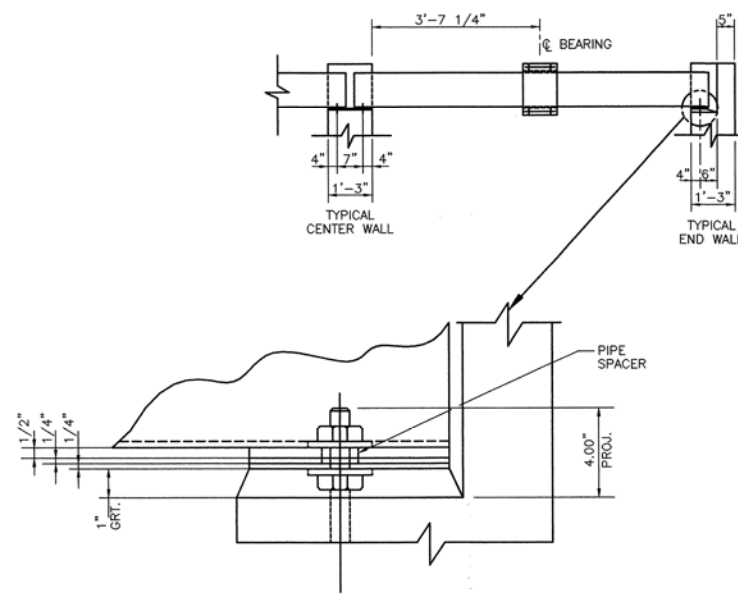
PLAN



PLAN

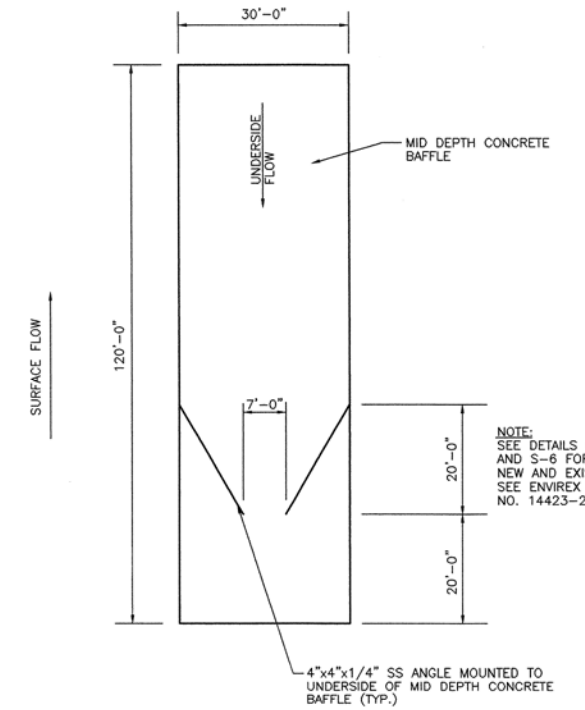
DETAIL - GRATING/HANDRAIL
EXTERIOR END

NOT TO SCALE



DETAIL - GRATING
INTERIOR END

NOT TO SCALE



UNDERSIDE BAFFLE - PLAN

NOT TO SCALE

9.3094M7 11/17/97 1=32

DESIGNED BY: MLL	REVISIONS	
DRAWN BY: KLB	BY:	DATE:
QA/QC	AS BUILT	11-17-97
	WJS/PJO	

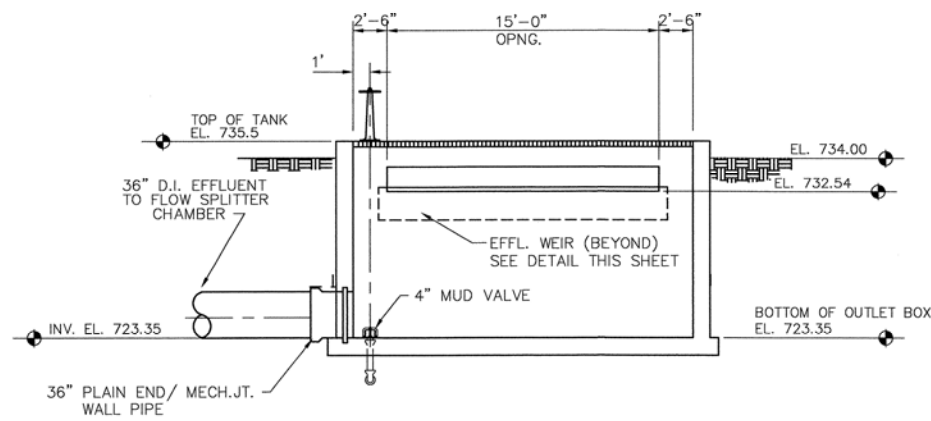
PDR Engineers, Inc.
 Lexington • Atlanta • Cincinnati • Louisville • Memphis • Huntsville
 4665 Cornell Road • Cincinnati, Ohio 45241 • (513) 247-0666

WARREN COUNTY
 WATER AND SEWER DEPARTMENT
 903 NORTH BROADWAY
 LEBANON, OHIO 45036

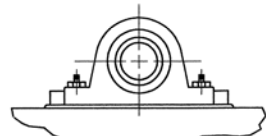
LOWER LITTLE MIAMI
 WASTEWATER TREATMENT PLANT
 PHASE II EXPANSION
 WARREN COUNTY, OHIO

VLR
 AERATION BASIN
 DETAILS
 SCALE: NOT TO SCALE

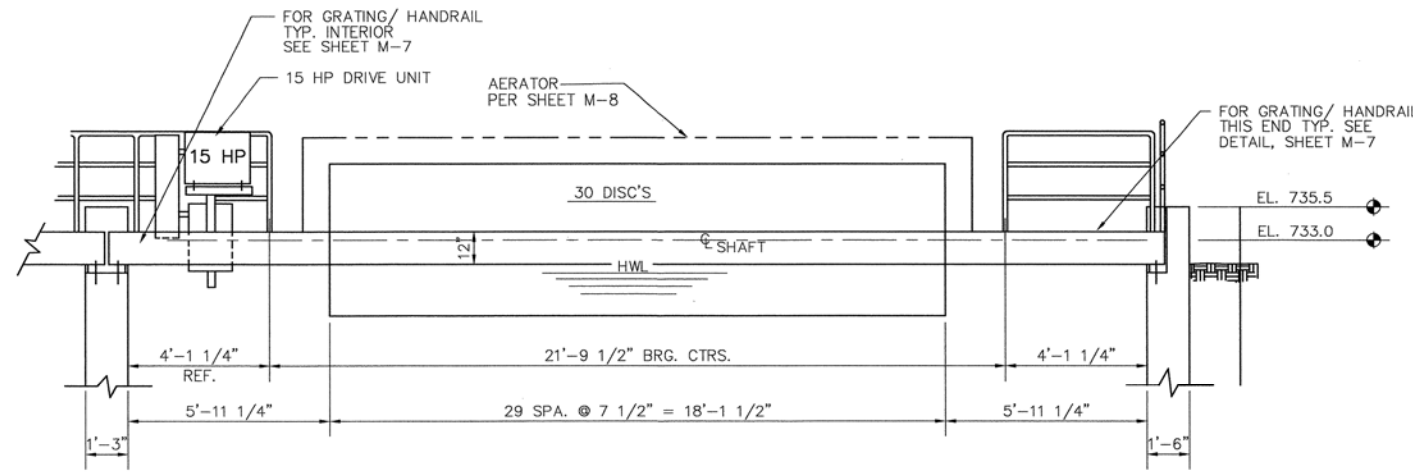
SHEET NO.
M-7
 ACCESSION NO.



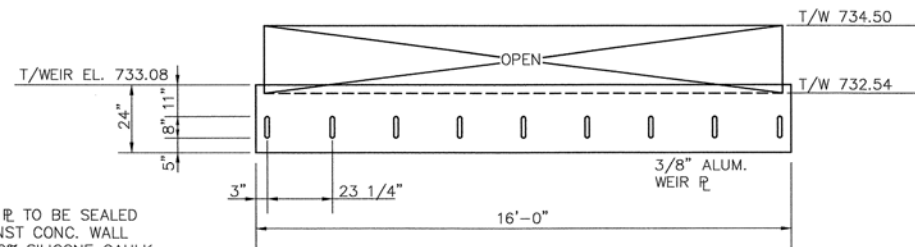
C SECTION
SCALE: 3/16"=1'-0"



AFTER PROPER ALIGNMENT OF BEARINGS, FIELD WELD STOP BLOCKS IN PLACE.
DETAIL BEARING STOP BLOCKS
N.T.S.

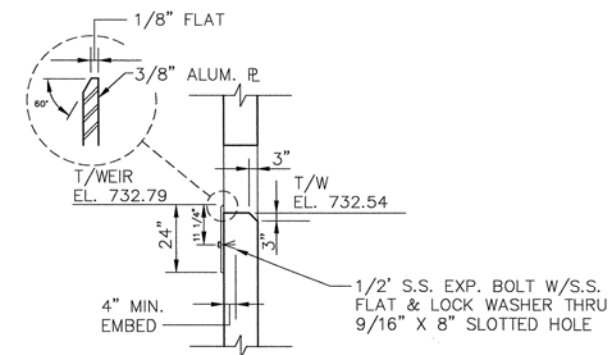


D SECTION
SCALE: 3/16"=1'-0"

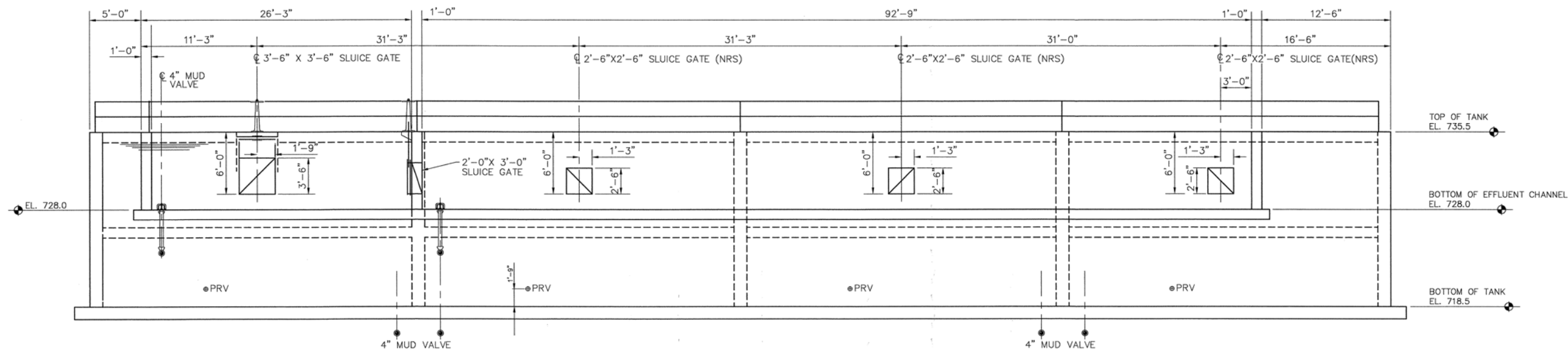


NOTE:
WEIR P. TO BE SEALED AGAINST CONC. WALL W/110% SILICONE CAULK - ENSURE WATERTIGHT SEAL

DETAIL - EFFLUENT WEIR
N.T.S.



SECTION THRU
SCALE: 3/4"=1'-0"



E SECTION
SCALE: 3/16"=1'-0"

93094MG 8/28/97 1=64

DESIGNED BY: MLL DRAWN BY: KLB QA/QC	REVISIONS	
	BY:	DATE:
	AS BUILT WJS/PJO	8-28-97

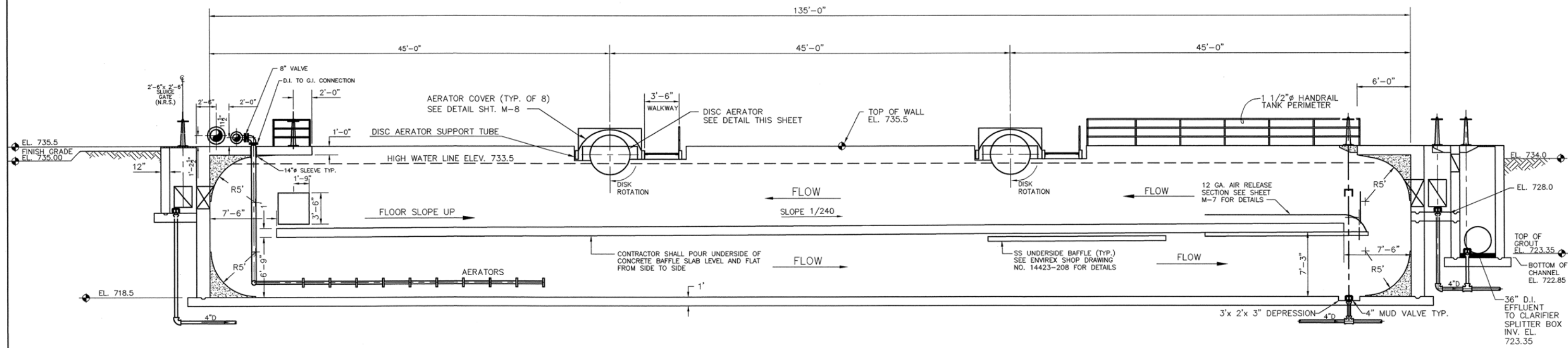
PDR Engineers, Inc.
Lexington • Atlanta • Cincinnati • Louisville • Memphis • Huntsville
4665 Cornell Road • Cincinnati, Ohio 45241 • (513) 247-0666

WARREN COUNTY
WATER AND SEWER DEPARTMENT
903 NORTH BROADWAY
LEBANON, OHIO 45036

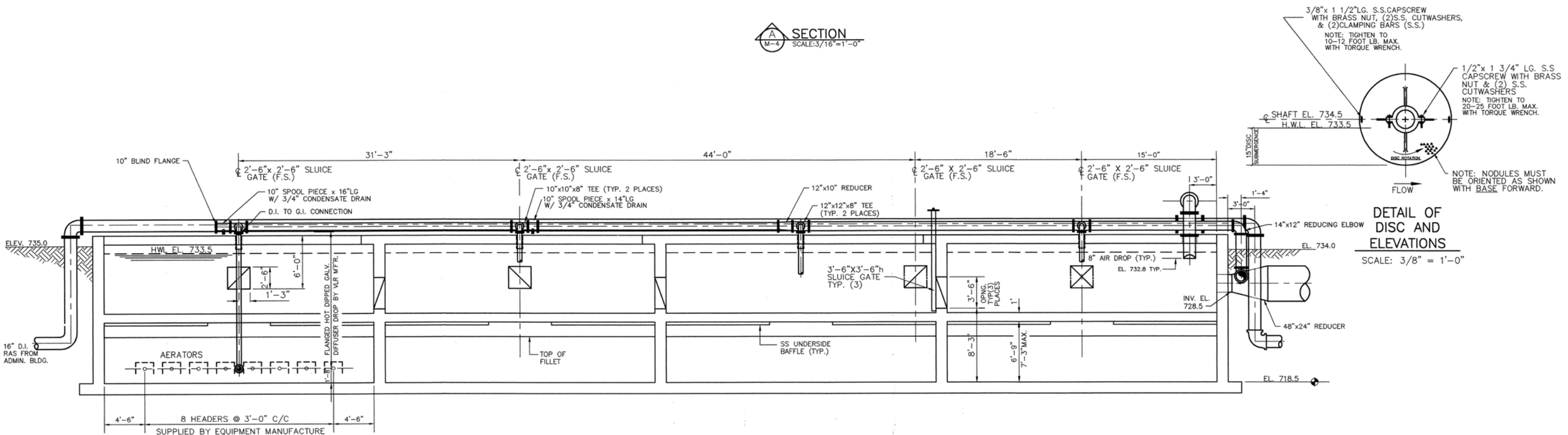
LOWER LITTLE MIAMI
WASTEWATER TREATMENT PLANT
PHASE II EXPANSION
WARREN COUNTY, OHIO

VLR
AERATION BASIN
SECTIONS
SCALE: 3/16" = 1'-0"

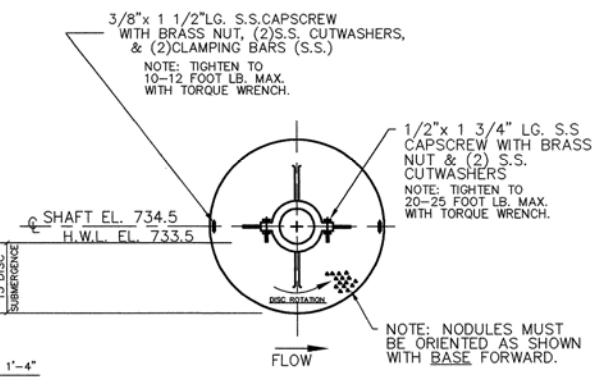
SHEET NO.
M-6
ACCESSION NO.



SECTION A
SCALE: 3/16" = 1'-0"



SECTION B
SCALE: 3/16" = 1'-0"



DETAIL OF DISC AND ELEVATIONS
SCALE: 3/8" = 1'-0"

9.3094M5 12/17/97 1=64

DESIGNED BY: MLL DRAWN BY: KLB QA/QC	REVISIONS	
	BY:	DATE:
	AS BUILT WJS/PJO	12-17-97

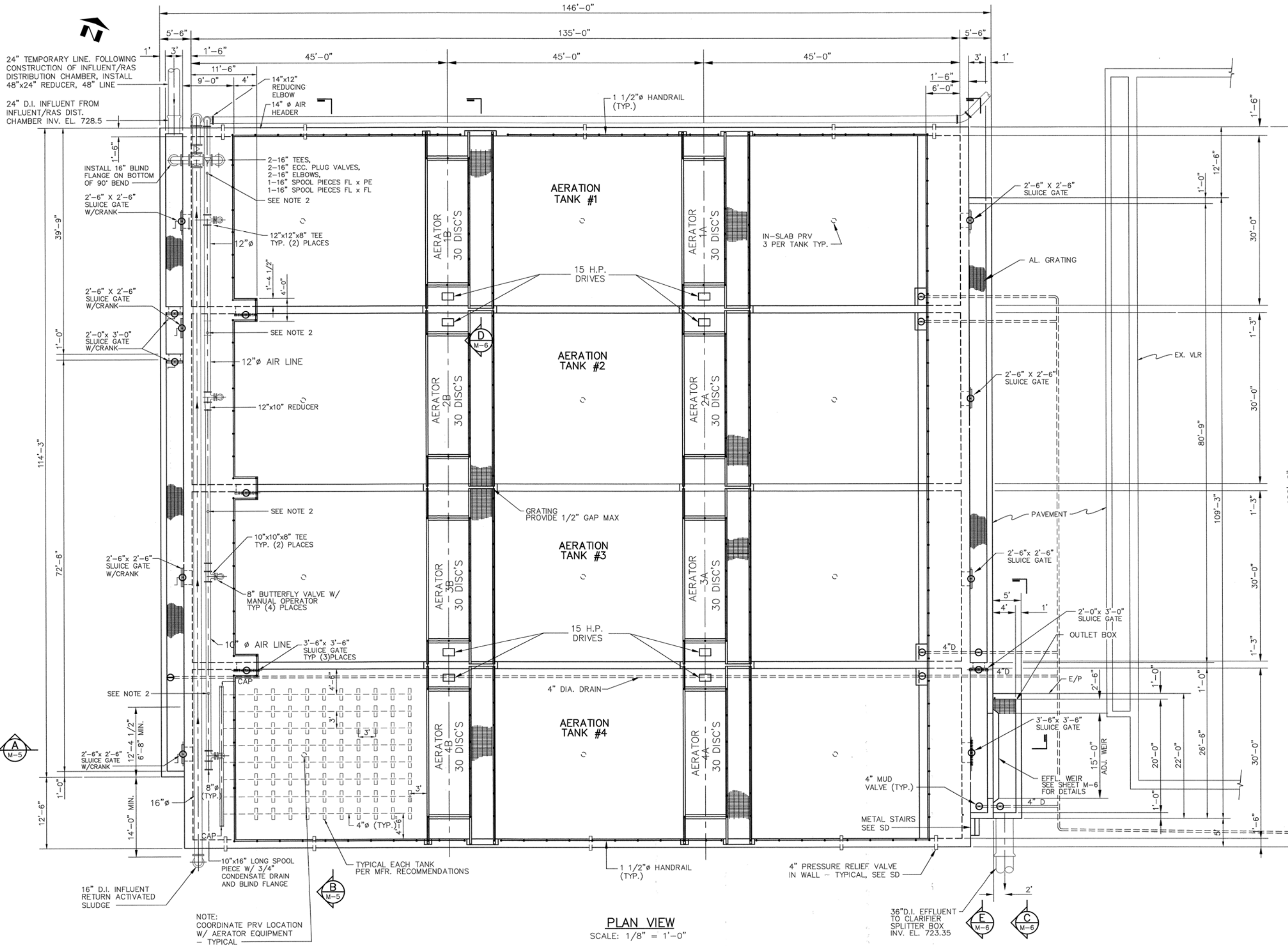
PDR Engineers, Inc.
Lexington • Atlanta • Cincinnati • Louisville • Memphis • Huntsville
4665 Cornell Road • Cincinnati, Ohio 45241 • (513) 247-0666

WARREN COUNTY
WATER AND SEWER DEPARTMENT
903 NORTH BROADWAY
LEBANON, OHIO 45036

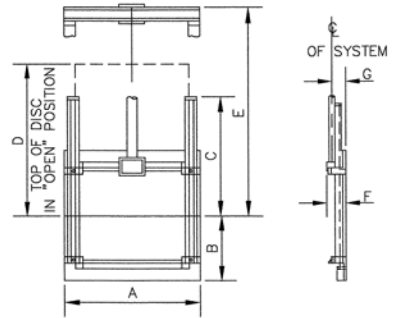
LOWER LITTLE MIAMI
WASTEWATER TREATMENT PLANT
PHASE II EXPANSION
WARREN COUNTY, OHIO

VLR
AERATION BASIN
SECTIONS
SCALE: 3/16" = 1'-0"

SHEET NO.
M-5
ACCESSION NO.



SIZE W X H	A	B	C	D	E	F	G
24" X 36"	34	23	38	60	67 3/4	9 1/2	6 1/4
36" X 36"	46	23	38	60	67 3/4	9 1/2	6 1/4
30" X 30"	40	20	32	51	58 1/4	9 1/4	6 1/4
42" X 42"	53 1/2	26	44	69	82	9 1/2	6 1/4



SLUICE GATE DETAIL
N.T.S.

- NOTES:
- HANDRAIL TO DUPLICATE EXISTING VLR EXCEPT AT WALKWAYS.
 - PROVIDE TAP FOR AIR FLOW METER TO BE FURNISHED AND INSTALLED UNDER CONTRACT III. COORDINATE W/ CONTRACT III FOR SIZE AND LOCATION. (TYP. 4 PLACES)

PLAN VIEW
SCALE: 1/8" = 1'-0"

93094M4 8/11/97 1=96

DESIGNED BY: MLL	REVISIONS	
DRAWN BY: KLB	BY: AS BUILT	DATE: 8-11/-97
QA/QC	WJS/PJO	

PDR Engineers, Inc.
Lexington • Atlanta • Cincinnati • Louisville • Memphis • Huntsville
4665 Cornell Road • Cincinnati, Ohio 45241 • (513) 247-0666

WARREN COUNTY
WATER AND SEWER DEPARTMENT
903 NORTH BROADWAY
LEBANON, OHIO 45036

LOWER LITTLE MIAMI
WASTEWATER TREATMENT PLANT
PHASE II EXPANSION
WARREN COUNTY, OHIO

VLR
AERATION BASIN
PLAN
SCALE: 1/8" = 1'-0"

SHEET NO.
M-4
ACCESSION NO.